

# Technical Data Sheet



CK108



CK114



CK94A



CK90



CK113

## AIR CONTROL KITS

### Pneumatic Controls

Designed for modern truck cabs, these controls are manufactured to exacting tolerances ensuring consistent, trouble-free operation.

Hydrec Powauto produces a wide variety of controls dependent on your requirements. From hoist only to the most complex truck and trailer assembly.

Configured for discreet fitment – ordering the right control for your truck cab is easy.

#### Suits:

Truck hoist applications  
Truck and trailer applications

## Product Features

- **Integral Plastic Body**  
Engineering plastics technology for accuracy and repeated cycles of operation.
- **Brackets and Pedestals With CK Kits**  
Use with or without, depending on requirements.
- **Light**  
Visual check when PTO is engaged and auxiliary function operated.
- **Clear Decals**  
Ergonomically designed for ease of use.
- **Cams Made From Kevlar**  
Long wearing, consistent operation.
- **Auto Disengage for PTO**  
Prevents damage to your transmission due to prolonged engagement.  
(Some models only)

POW AUTO

DAVID BROWN  
HYDRAULICS

HYDRECO®

HYDRECO  
POW AUTO  
ADVANCED HYDRAULIC TECHNOLOGIES

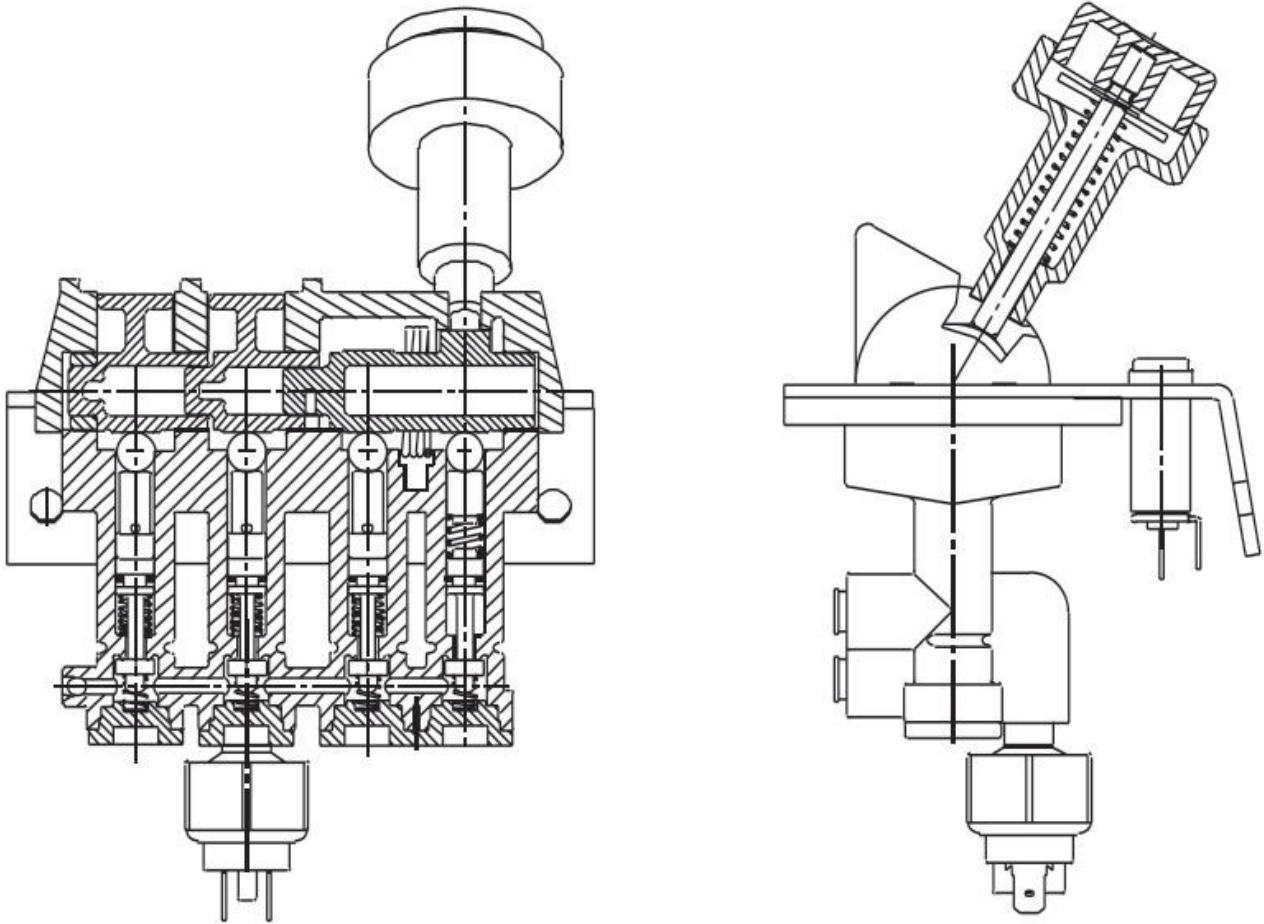


www.hydrec.com

# Technical Data Sheet

## Typical Assembly (CK113 shown)

For full instructions refer to the installation guide or see your Hydreco Powauto distributor.



Kit Part	Control Only	Functions	Mounting	Operation	Repair Kit
CK90	73090	PTO - Hoist	Bracket	Auto PTO Disengage / No Detent On Lower	SK027
CK90A	73090A	PTO - Hoist	Bracket	Auto PTO Disengage / Detent On Lower	SK027
CK90B	73090B	PTO - Hoist	Bracket	No Auto PTO Disengage / Momentary	SK027
CK90C	73090C	PTO - Hoist	Bracket	No Auto PTO Disengage / Detent On Lower	SK027
CK94A	73131A	PTO	Through Dash	PTO Engage / Disengage	
CK108	73104	Double PTO - Hoist - Auxilliary	Pedestal	No Auto PTO Disengage / Detent On Lower	SK032
CK108A	73104A	Double PTO - Hoist - Auxilliary	Pedestal	1x Auto PTO Disengage / Detent On Lower	SK032
CK108B	73104B	Double PTO - Hoist - Auxilliary	Pedestal	No Auto PTO Disengage / Momentary	SK032
CK113A	73111A	PTO - Hoist - Auxilliary	Bracket	Auto PTO Disengage / Detent On Lower	SK051
CK113B	73111B	PTO - Hoist - Auxilliary	Bracket	No Auto PTO Disengage / Momentary	SK051
CK113C	73111C	PTO - Hoist - Auxilliary	Bracket	No Auto PTO Disengage / Detent On Lower	SK051
CK114A	73109A	PTO - Hoist - Auxilliary	Pedestal	Auto PTO Disengage / Detent On Lower	SK051
CK114B	73109B	PTO - Hoist - Auxilliary	Pedestal	No Auto PTO Disengage / Momentary	SK051
CK114C	73109C	PTO - Hoist - Auxilliary	Pedestal	No Auto PTO Disengage / Detent On Lower	SK051

Control Only part number includes bracket/mounting plate, decals and light.

Doc: AIR CK—07/18

POW AUTO

DAVID BROWN  
HYDRAULICS

HYDRECO®

HYDRECO  
POW AUTO  
ADVANCED HYDRAULIC TECHNOLOGIES



www.hydreco.com