

Technical Data Sheet



PA856 SERIES POWER TAKE-OFF

Product Features

SAE 8 Bolt Heavy Duty Side Mounted PTO

The 856 series is designed for transmissions with a SAE 8 bolt openings and ancillary equipment obstructions at the PTO/pump area.

This PTO maintains Hydreco Powauto's commitment to achieving the highest possible torque densities, achieving 466Nm torque within a standard PTO.

With a new integral air shift arrangement that provides a stronger more robust design.

Suits:

Many Eaton, Fuller, Mack etc transmissions.
(Refer to the eGuide Configurator on www.hydreco.com for confirmation and details)

- **Access Hole For Checking Backlash**
For ease of installation.
- **Hobbed & Shaved Gears**
For Quieter operation.
- **Viton Seals and O-Rings**
Greater durability at high operating temperatures and with synthetic oils.
- **Double O-Ring Seals**
Greater leak protection.
- **Integral Air Shift**
For problem free engagement over the PTO life.

POWAUTO

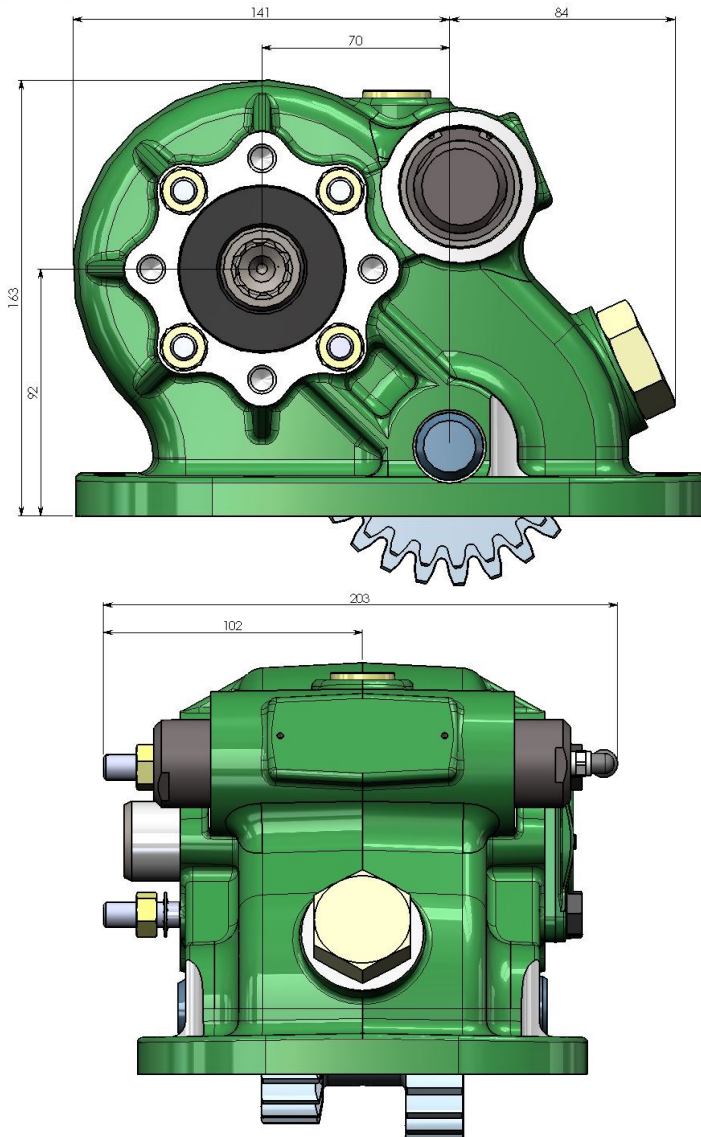
DAVID BROWN
HYDRAULICS

HYDRECO

HYDRECO
POWAUTO
HYDRAULIC SOLUTIONS PROVIDER

www.hydreco.com

Technical Data Sheet



PTO DESIGNATION CODES

856 Series

PA 856 B L11 A 08 *

Identifier

PA = PTO Side Mount

PTO Series

856

Gear Type

B, X

Build

L = Left side of transmission

1 = Selector to top / Bias to bottom

2 = Selector to bottom / Bias to top

1 = Centre to front

2 = Centre to rear

(Position of gear in transmission)

Engagement Type

A = Air

Output Type

08 = 8T Powauto Hydraulic Spline

11 = 14T 12/24 30° Spline + 1410 Flange

13 = 13T SAE B Hydraulic Spline + SAE B Pump Mount

23 = 8T Ø36 DIN 5462 Spline - Female and DIN Mount

26 = 14T 12/24 30° Spline + SAE C 2 & 4 Bolt Mount

29 = Dual Output Combination 08/08

Other outputs available on request, subject to MOQ.

Manufacturers Code

A = With Pressure Switch

B = With Mounting Kit

C = With Mounting Kit & PTO Control Kit

Technical Specifications		
Ratings & Service Parts		
Torque	Nm / ft.lb	466 / 343
Power @ 500 rpm	kW / hp	24.4 / 32.6
Power @ 1000 rpm	kW / hp	48.7 / 65.3
Output Shaft Rotation		Opposite to Engine
Approximate Bare Mass	kg / lb	17.0 / 37.4
Mounting Kit		* See Note
Mounting Gasket Kit		GK002
Seal Kit		SK073, SK073A - Mech, SK073D - '29'
Bearing Kit		BK073, BK073A - Mech

* Mounting kit varies with transmission - refer to eGuide Configurator.

Note: For full details refer to the owners manual or the eGuide configurator found at www.hydreco.com/markets/transport

DISTRIBUTOR:

POWAUTO

DAVID BROWN
HYDRAULICS

HYDRECO

HYDRECO
POWAUTO
HYDRAULIC SOLUTIONS PROVIDER

Doc: PA856—03/17

www.hydreco.com