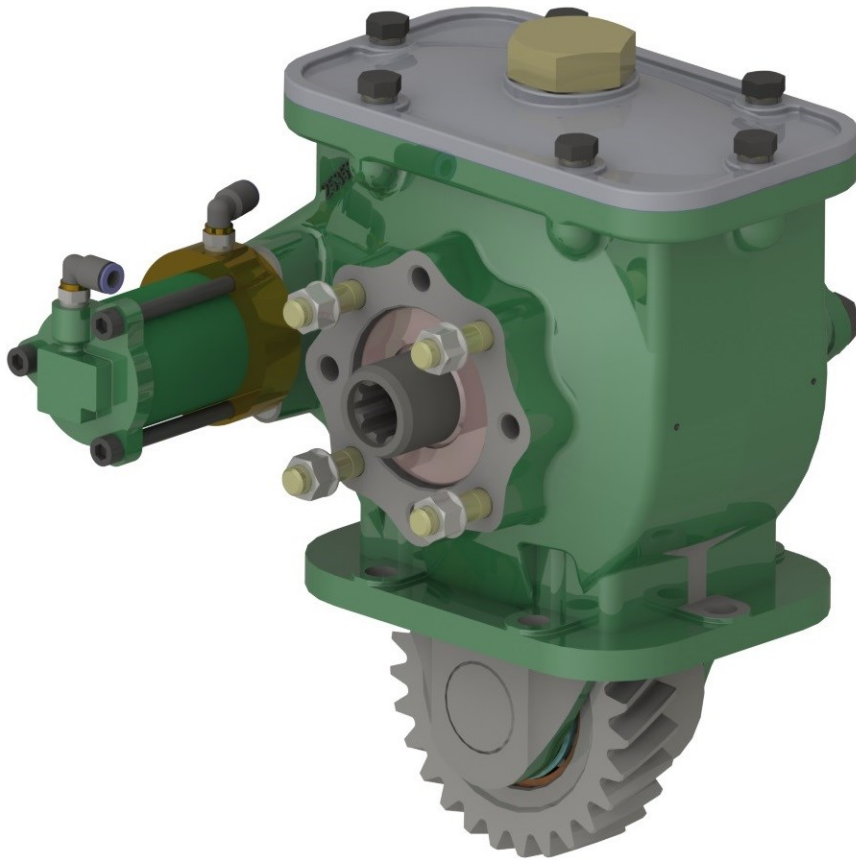


Technical Data Sheet



PA406 SERIES POWER TAKE-OFF

Product Features

Deep Reach High Torque 6 Bolt Side Mounted PTO

The 406 series is designed for the front left opening of certain Eaton transmissions with a 6 bolt opening, it is a heavy duty deep reach design.

The PTO is suitable for use on both direct drive and overdrive transmissions.

Suits:

Eaton 6109A, 8209A, 8309A transmissions.
(Refer to the eGuide Configurator on www.hydreco.com for confirmation and details)

- **Output Speed of 72% of Engine Speed For Direct Drive**
For very high torque at the output.
- **Output Speed of 100% of Engine Speed For Over Drive**
For extra high torque at the output.
- **Wide Variety of Outputs**
To suit many vehicle configurations.
- **Constant Mesh Gears**
For longer life.
- **Heavy Duty Tapered Roller Bearings**
For long life and better support for the idler gear.

POWAUTO

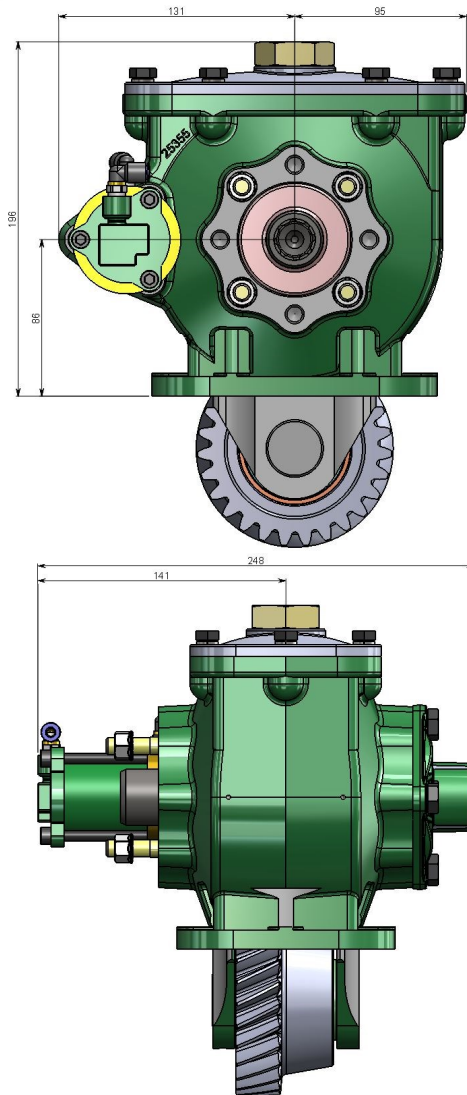
DAVID BROWN
HYDRAULICS

HYDRECO

HYDRECO
POWAUTO
HYDRAULIC SOLUTIONS PROVIDER

www.hydreco.com

Technical Data Sheet



PTO DESIGNATION CODES

406 Series

PA 406 EB1 L22 A 08 *

Identifier

PA = PTO Side Mount

PTO Series

406

Gear Type

EB1

Build

L = Left side of transmission
 2 = Selector to bottom / Bias to top
 2 = Centre to rear
 (Position of gear in transmission)

Engagement Type

A = Air

Output Type

08 = 8T Powauto Hydraulic Spline
 09 = 14T 12/24 30° Spline + 35 x 60 Flange
 10 = 14T 12/24 30° Spline + 1310 Flange
 11 = 14T 12/24 30° Spline + 1410 Flange
 13 = 13T SAE B Hydraulic Spline + SAE B Pump Mount
 23 = 8T Ø36 DIN 5462 Spline - Female and DIN Mount
 26 = 14T 12/24 30° Spline + SAE C 2 & 4 Bolt Mount
 36 = 14T 12/24 30° Spline + 50 x 62.5 Flange
 41 = 3B UNI Pump Mount
 Other outputs available on request, subject to MOQ.

Manufacturers Code

A = With Pressure Switch
 B = With Mounting Kit

Technical Specifications		
Ratings & Service Parts		
Torque	Nm / ft.lb	440 / 327
Power @ 500 rpm	kW / hp	23.2 / 31.1
Power @ 1000 rpm	kW / hp	46.4 / 62.2
Output Shaft Rotation		Opposite To Engine
Approximate Bare Mass	kg / lb	17.0 / 37.4
Mounting Kit		MK1137B
Mounting Gasket Kit		GK001
Seal Kit		SK047B
Bearing Kit		BK047B

Note: For full details refer to the owners manual or the eGuide configurator found at www.hydreco.com/markets/transport

DISTRIBUTOR:

Doc: PA406—03/17

www.hydreco.com

POWAUTO

DAVID BROWN
HYDRAULICS

HYDRECO

HYDRECO
POWAUTO
 HYDRAULIC SOLUTIONS PROVIDER