

HPV2 SERIES

HYDRAULIC PILOT
CONTROL



HYDRAULIC PILOT CONTROL

HPV2 Pilot Control Valves are part of the extensive range of Hydreco Hydraulics products.

This product has a new design meant to provide a comfortable and fine control for mobile and industrial machines. The pilot valve, with its single lever dual axis control, is supported by an extensive range of characteristics and handle options which make it suitable for a wide range of both mobile and industrial applications.

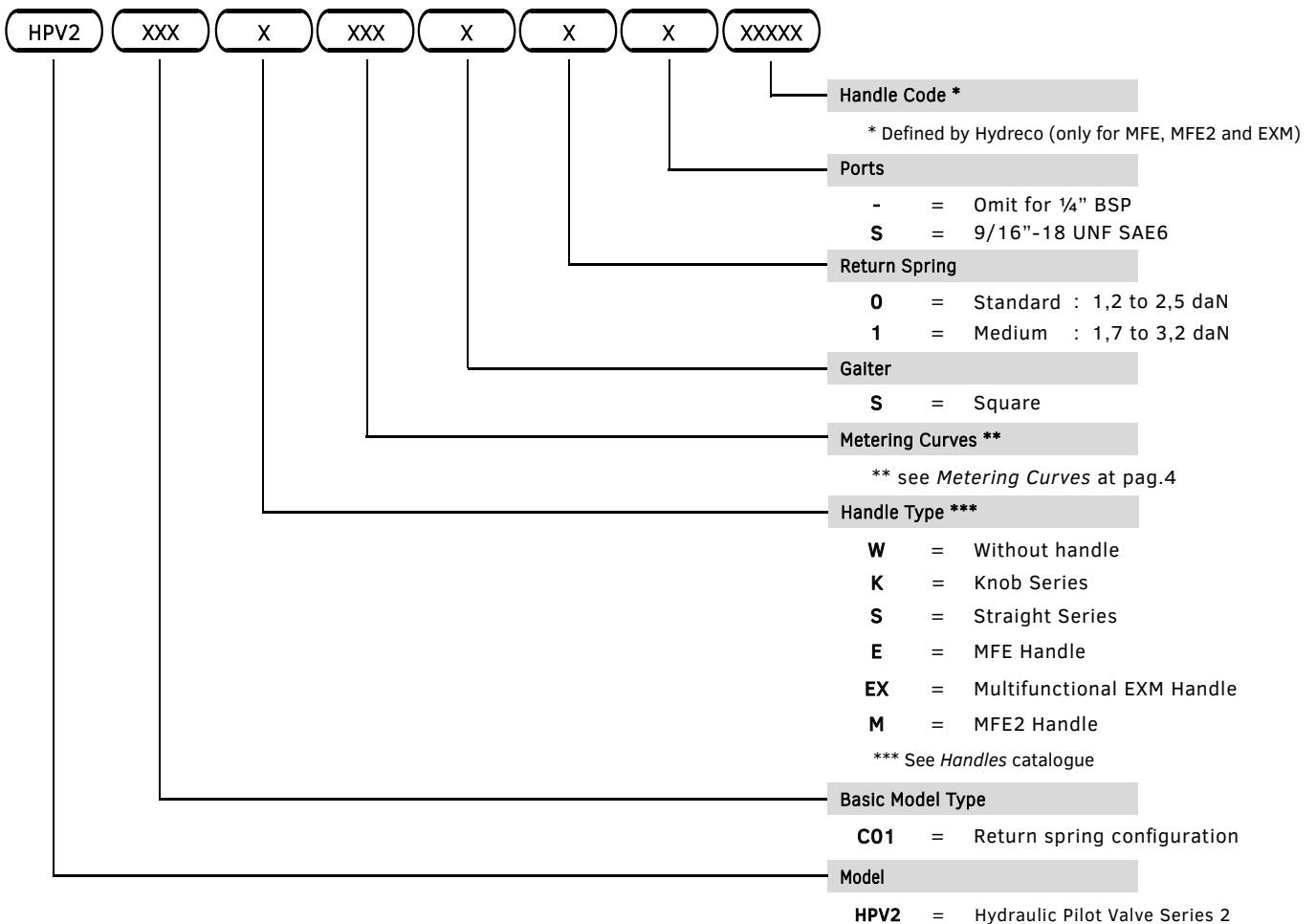
Our engineers can offer special support to optimise this product to suit your application.

BENEFITS

- Compact and lightweight body
- Low effort control and smooth movements
- Rugged construction for long operating life
- Spare parts available upon request
- Suitable for armrest of control mounting
- Compatible with a wide range of products
- Low hysteresis, high accuracy, pressure control curves
- Wide range of electrical options in multi-functional ergonomic handles

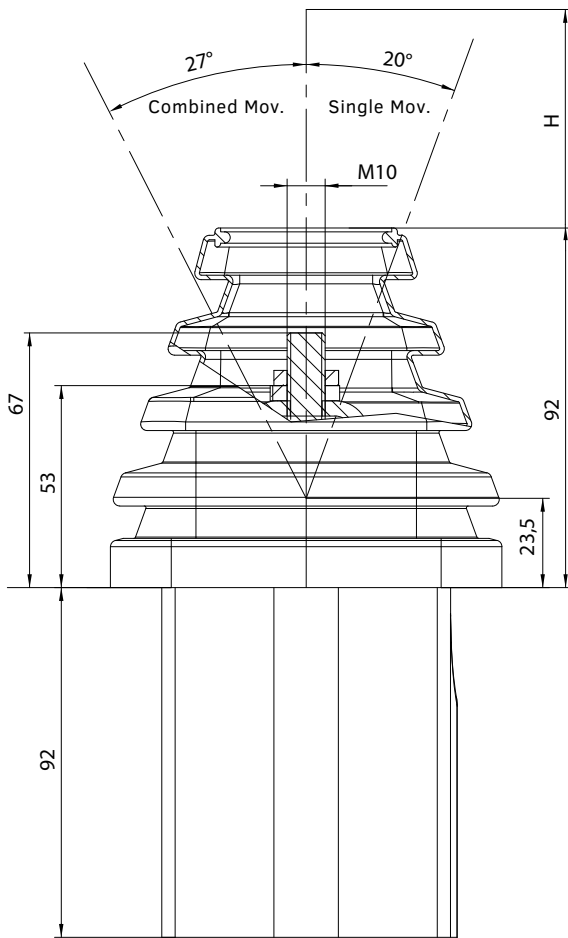
HPV2 SERIES - MODEL CODING

Hydreco Hydraulics reserves the right to update the information and data contained in this catalogue at any time without notice



Example: HYDRAULIC PILOT VALVE SERIES 2, MODEL TYPE C01, RETURN SPRING CONFIGURATION, MFE HANDLE, METERING CURVE N.015, SQUARE GAITER, RETURN SPRING 0, MFE HANDLE N. 11163: **HPV2-C01-E015-S-0-11163**

HPV2

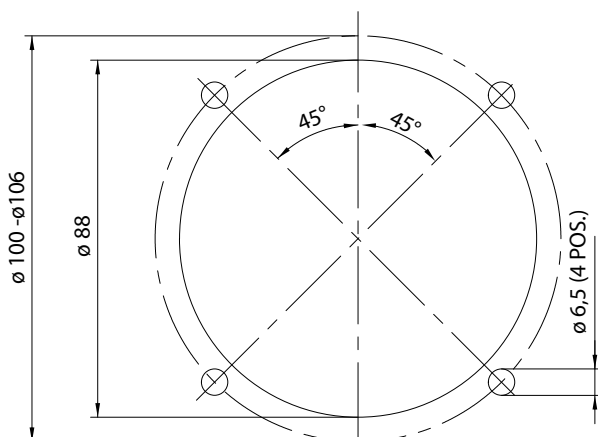


HANDLES ***

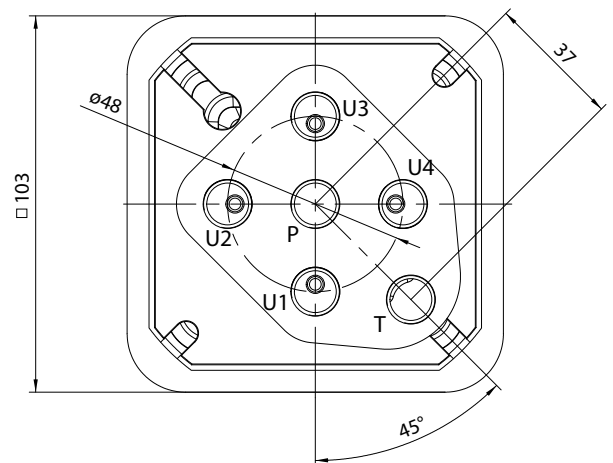


Configuration	Approx Net Weight	Handle Height (H)
Only Body & Gaiter	1.4 Kg	-
With S Handle	1.7 Kg	131 mm
With MFE2 Handle	1.8 Kg	153 mm
With MFE Handle	1.7 Kg	154 mm
With EXM Handle	1.6 Kg	137 mm

INSTALLATION DRAWING



FOOTPRINT

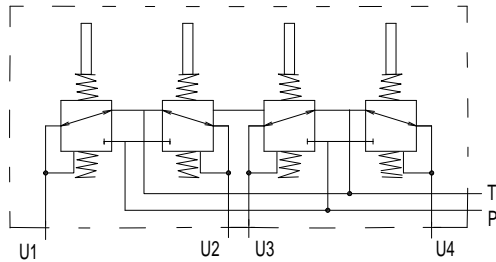


*** All handles can be fully customized to fit customer application. See *Handles* catalogue for more details.

TECHNICAL FEATURES

Service Ports: P, T, U1, U3, U4, ¼BSP or 9/16 UNF
 Maximum inlet pressure: Port P - 50 bar
 Maximum back pressure: Port T - 3 bar
 Supply flow range: From 5 up to 15 l/min
 Maximum Hysteresis: +/- 0.5 bar
 Fluid: Mineral Oils ISO, HM and HV
 Contamination class: 20/18/15 ISO 4406:1999
 Fluid temperature range: From -20° to 80° C

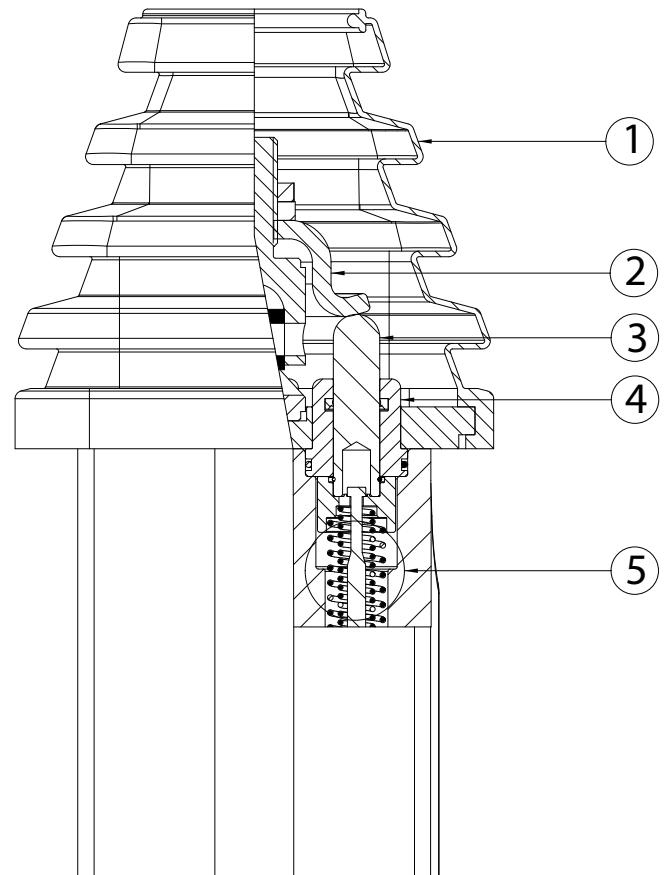
HYDRAULICS CIRCUIT DIAGRAM



APPLICATIONS

- Excavator and Mini-excavators
- Crane
- Forestry Machines
- Access platforms
- Container Handlers
- Tracked Machines
- Skid steer loader
- Forklift trucks

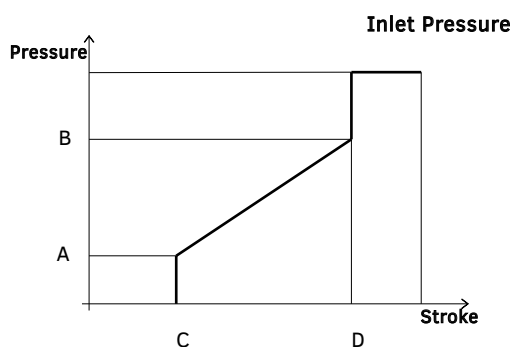
SPARE PARTS



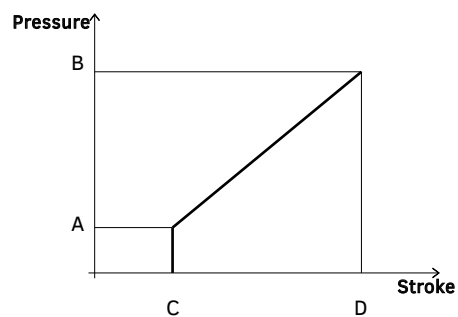
POS	Description	Part Number
1	Gaiter	P9634000353
2	Operating Disc	P9734000053
3	Kit Plunger	G9734000003 (for curve with step) G9734000013 (for curve no step)
4	Kit guide-seals	G9734000023 (with o-ring and seal)
5	Kit Metering Curve	G97349YXXX3 (Y=return spring type; XXX=ID curve number) ¹

¹ See Page 1 for Spring type, see page 4 for ID curve number

METERING CURVES WITH STEP ²



METERING CURVES WITHOUT STEP ²



PRESSURE (Bar)		STROKE (mm)		ID CURVE
A	B	C	D	
2.9	15.1	1	7,5	CR2-078
3.0	10.2	1	7,5	CR2-051
3.0	20,5	1	7,5	CR2-121
3.5	17.5	1	7,5	CR2-062
4.0	16.6	1	7,5	CR2-201
4.5	17.2	1	7,5	CR2-117
4.5	27.2	1	7,5	CR2-108
4.8	19.7	1	7,5	CR2-018
5.0	16.0	1	7,5	CR2-026
5.0	25.0	1	7,5	CR2-109
5.4	22.8	1	7,5	CR2-015
5.5	25.5	1	7,5	CR2-139
5.8	23.5	1	7,5	CR2-082
6.8	15.2	1	7,5	CR2-100
7.0	21.4	1	7,5	CR2-081

PRESSURE (Bar)		STROKE (mm)		ID CURVE
A	B	C	D	
2.3	14.5	1	8	CR2-060
3.1	43.5	1	8	CR2-206
3.2	27.4	1	8	CR2-068
3.6	19.2	1	8	CR2-096
4.8	20.5	1	8	CR2-203
5.0	18.8	1	8	CR2-079
5.2	23.2	1	8	CR2-074
5.4	24.4	1	8	CR2-036
5.5	27.0	1	8	CR2-075
5.9	30.1	1	8	CR2-133
6.9	29.7	1	8	CR2-001
9	27.5	1	8	CR2-039
9.1	28	1	8	CR2-003

² Tolerance on pressure settings \pm 0.5 bar. Other metering curves available upon request.

Supported by a worldwide network



CONTACT INFORMATION

EMEA

GERMANY	Hydreco Hydraulics GmbH, Straelen (NRW)	+49 283494303-41	info-de@hydreco.com
ITALY	Hydreco Hydraulics Italia Srl, Vignola (MO)	+39 059 7700411	sales-it@hydreco.com
NORWAY	Hydreco Hydraulics Norway AS, Nittedal	+47 22909410	post-no@hydreco.com
UK	Hydreco Hydraulics Ltd, Poole, Dorset	+44 (0) 1202 627500	info-uk@hydreco.com

AMERICAS

USA	Hydreco Inc, Rock Hill (SC)	+1 704 295 7575	sales-us@hydreco.com
LATIN AMERICA		+1 704 572 6266	sales-es@hydreco.com

APAC

AUSTRALIA	Hydreco Hydraulics Pty Ltd, Seven Hills (NSW)	+61 2 9838 6800	sales-au@hydreco.com
AUSTRALIA	Hydreco Hydraulics Pty Ltd, Smeaton Grange (NSW)	+61 2 4647 6577	au-smeatongrange@hydreco.com
AUSTRALIA	Hydreco Hydraulics Pty Ltd, Welshpool (WA)	+61 8 9377 2211	reception-wa@hydreco.com
INDIA	Hydreco Hydraulics India Private Ltd, Bangalore	+91 80 67656300	sales-in@hydreco.com