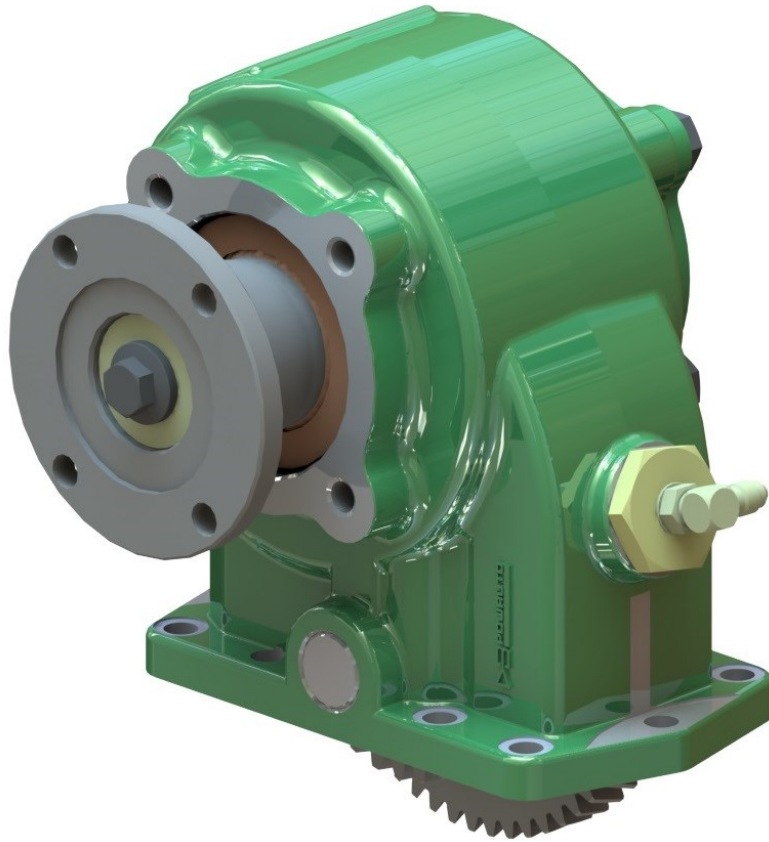


Technical Data Sheet



PA28 SERIES POWER TAKE-OFF

Product Features

Low Ratio Extra Heavy Duty Side Mounted Constant Drive PTO

The 28 series is a constant mesh, constant drive PTO designed to suit the 10 bolt transmission openings on the MD and HD series Allison automatic transmissions.

This PTO has a high torque rating which is well suited to heavy duty applications such as transit mixers.

Suits:

Allison MD 3050P, 3060P, 3070PT, 3550P, 3560P, HD 4060P, 4560P transmissions.

(Refer to the eGuide Configurator on www.hydreco.com for confirmation and details)

- **Output Speeds 80 to 164% of Engine Speed (Transmission Dependant)**
Giving good output values for all applications.
- **Constant Drive**
Ensuring no gear clash when operating. Suitable for driving variable displacement piston pumps.
- **Viton Seals & O-Rings**
Ensuring compatibility with high temperature conditions.
- **One Gasket Fitment**
Simple to install, resulting in lower installation costs.
- **Low Profile**
Providing easier installation on narrow chassis.

POWAUTO

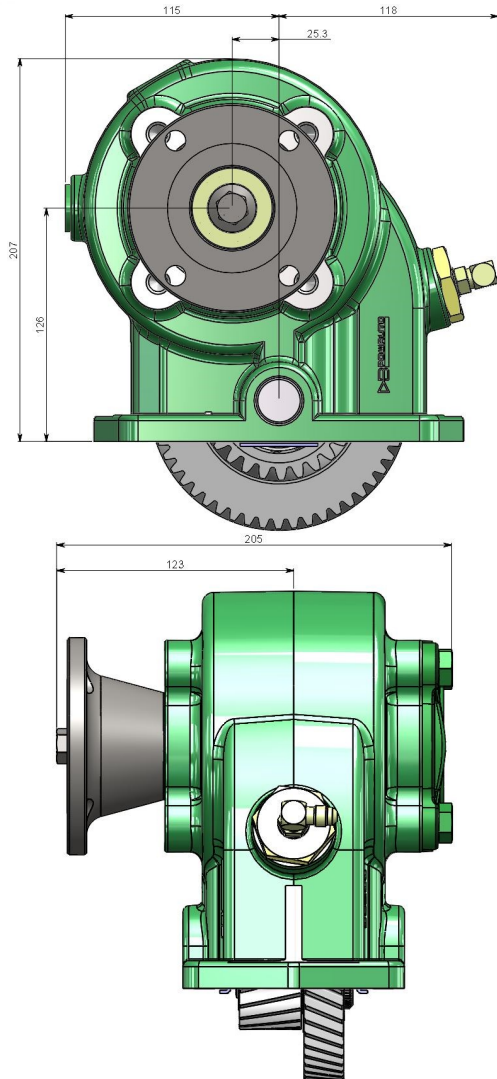
DAVID BROWN
HYDRAULICS

HYDRECO

HYDRECO
POWAUTO
HYDRAULIC SOLUTIONS PROVIDER

www.hydreco.com

Technical Data Sheet



PTO DESIGNATION CODES

28 Series

PA 28-1 JB L11 B 33 B

Identifier

PA = PTO Side Mount

PTO Series

28

Ratio (3000/3500/4000)

Blank = 115%/141%/164%

-1 = 81%/98%/115%

Gear Type

JB

Build

L = Left side of transmission

R = Right side of transmission

1 = Selector to top / Bias to bottom

2 = Selector to bottom / Bias to top

1 = Centre to front

(Position of gear in transmission)

Engagement Type

B = Continuous Engagement

Output Type

23 = 8T Ø36 DIN 5462 Spline - Female and DIN Mount

26 = 14T 12/24 30° Spline + SAE C 2 & 4 Bolt Mount

31 = 15T SAE BB Hydraulic Spline + 2 & 4 Bolt Mount

33 = 17T 12/24 30° Spline + 1410 Flange

39 = 14T SAE C Hydraulic Spline + SAE B 4 Bolt Mount

40 = DIN 100 Flange

Other outputs available on request, subject to MOQ.

Manufacturers Code

B = With Mounting Kit

Technical Specifications		28	28-1
Ratings & Service Parts		28	28-1
Ratio for Allison 3000		115.32%	80.62%
Ratio for Allison 3500		140.75%	98.40%
Ratio for Allison 4000		164.49%	115.00%
Torque	Nm / ft.lb	650 / 480	755 / 557
Power @ 500 rpm	kW / hp	34.1 / 45.7	39.5 / 53.0
Power @ 1000 rpm	kW / hp	68.1 / 91.4	79.1 / 106.0
Output Shaft Rotation		Same As Engine	
Approximate Bare Mass	kg / lb	19.5 / 42.9	
Mounting Kit		MK1163	
Mounting Gasket Kit		GK023	
Seal Kit		SK078	
Bearing Kit		BK078	

Note: For full details refer to the owners manual or the eGuide configurator found at www.hydreco.com/markets/transport

DISTRIBUTOR:

Doc: PA28—03/17

www.hydreco.com

POWAUTO

DAVID BROWN
HYDRAULICS

HYDRECO

HYDRECO
POWAUTO
HYDRAULIC SOLUTIONS PROVIDER