

CPVL SERIES

HYDRAULIC PILOT
CONTROL



LOADER TYPE PILOT CONTROL

CPVL Pilot Control Valves is part of the extensive range of Hydreco Hydraulics product, and with the inclusion of electrical and mechanical detent is designed specifically for Wheeled Loader applications.

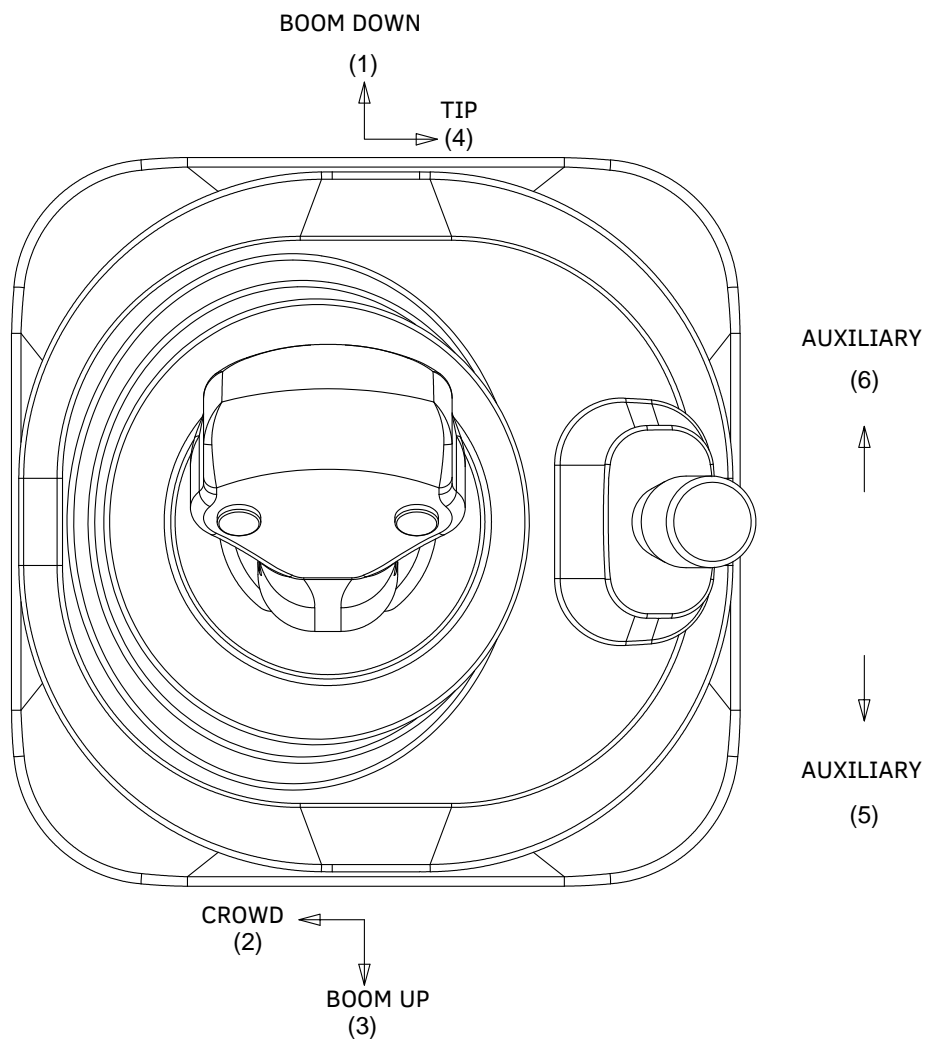
The product is supported by an extensive range of control curve characteristics and handles options, and can be supplied to control either two service or three service loader applications.

Our engineers can offer specialistic support to ptimise this product to suit your application.

BENEFITS

- Compact and lightweight
- Optional linkage for main and auxiliary levers connection
- Operator is protected from high temperature components
- Low hysteresis, high accuracy pressure control curves
- Wide range of electrical options in both standard and multi-functional ergonomic handles
- Low effort control with spring centered and both electrical and mechanical detented versions available

MAIN STRUCTURE



CPVL SERIES - MODEL CODING

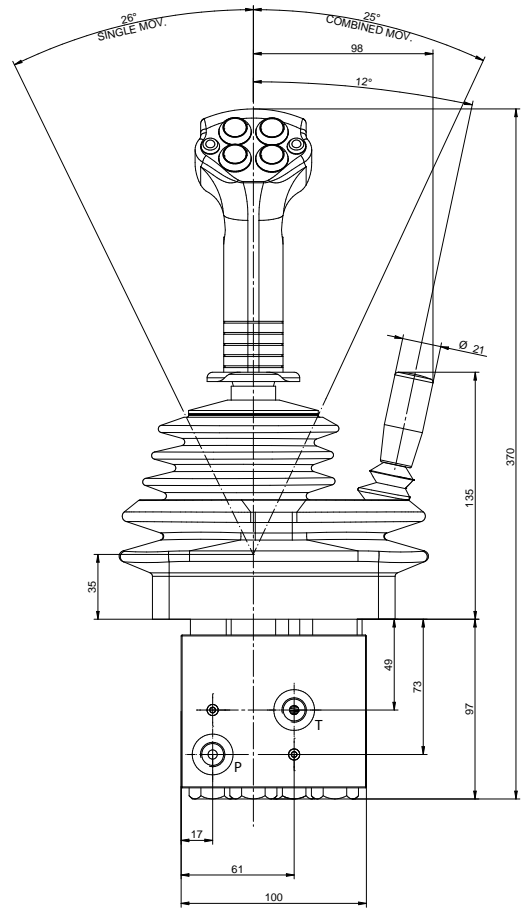
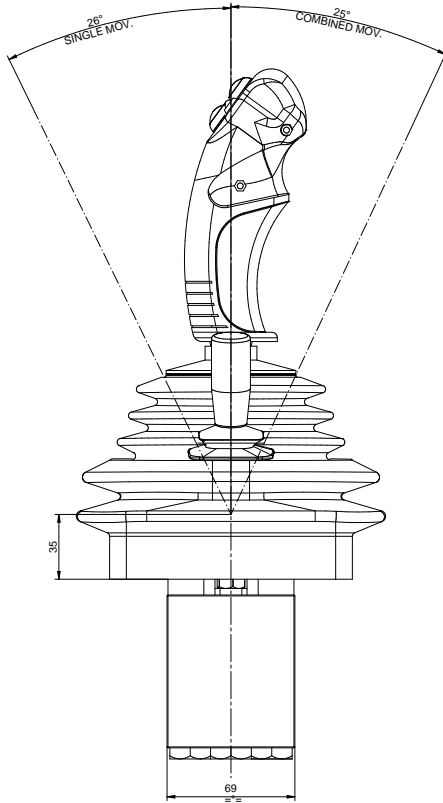
Hydrec Hydraulic reserves the right to update the information and data contained in this catalogue at any time without notice



- Ports**
- B = 1/4" BSP Ports (standard option)
- S = 7/16"-20 UNF SAE Ports
- Magnet Type**
- 1 = 12 VDC Magnets
- 2 = 24 VDC Magnets
- Linkage Option**
- W = Without linkage
- L = With linkage
- Detent Option Port U6**
- X = No detent
- E = Electrical detent on port 6
- M = Mechanical detent on port 6
- Detent Option Port U5**
- X = No detent
- E = Electrical detent on port 5
- M = Mechanical detent on port 5
- Metering Curve on Port U6 ***
- * See *Metering Curves* Catalogue (3 digits)
- Metering Curve on Port U5 ***
- * See *Metering Curves* Catalogue (3 digits)
- Auxiliary Handle ****
- K = Knob type on auxiliary **
- ** See *Handles* Catalogue
- Detent Option on Port U4**
- X = No detent
- E = Electrical detent on port 4
- M = Mechanical detent on port 4
- Detent Option on Port U3**
- X = No detent
- E = Electrical detent on port 3
- M = Mechanical detent on port 3
- Detent Option on Port U2**
- X = No detent
- E = Electrical detent on port 2
- M = Mechanical detent on port 2
- Detent Option on Port U1**
- X = No detent
- E = Electrical detent on port 1
- M = Mechanical detent on port 1
- Metering Curve on Port U4 ***
- * See *Metering Curves* Catalogue (3 digits)
- Metering Curve on Port U3 ***
- * See *Metering Curves* Catalogue (3 digits)
- Metering Curve on Port U2 ***
- * See *Metering Curves* Catalogue (3 digits)
- Metering Curve on Port U1 ***
- * See *Metering Curves* Catalogue (3 digits)
- Handle ****
- W = Without handle
- S = Straight handle
- E = Ergonomic handle
- ** See *Handles* Catalogue
- Model**
- CPVL = Control Pilot Valve Loaders Series 106
- 106

CONTROL PILOT VALVE LOADERS SERIES 106, ERGONOMIC HANDLE MFE, METERING CURVE N. 018 ON PORT U1, METERING CURVE N. 050 ON PORT U2, METERING CURVE N. 050 ON PORT U3, METERING CURVE N. 050 ON PORT U4, MECHANICAL DETENT ON PORT U1, HANDLE KG FOR AUXILIARY, METERING CURVE N. 050 ON PORT U5, METERING CURVE N.018 ONFOR PORT U6, ELECTRICAL DETENT ON PORT U6, WITHOUT LINKAGE, 12 VDC MAGNETS, STANDARD PORTS 1/4" BSP:
CPVL106-E-018-050-050-050-M-X-X-X-KG-050-018-X-E-W-1-B

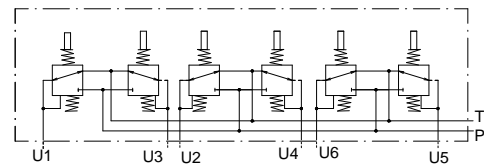
CPVL



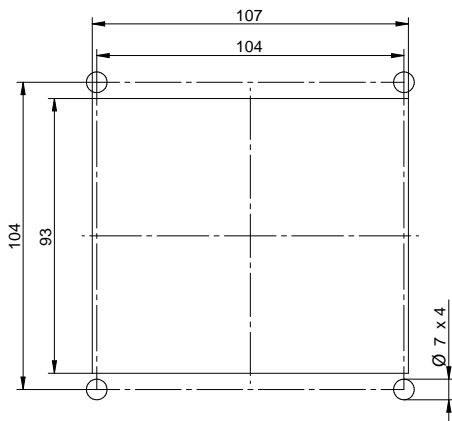
TECHNICAL FEATURES

Service ports: P, T, U1, U2, U3, U4, U5, U6; 1/4" BSP
 Maximum inlet pressure: Port P - 50 bar
 Maximum back pressure: Port T - 3 bar
 Supply flow range: From 5 up to 20 litres/min
 Maximum hysteresis: +/- 0.5 bar
 Fluid: Mineral Oils ISO, M and HV
 Contamination class: 20/18/15 ISO 4406:1999
 Fluid temperature range: from -20° to +80°C

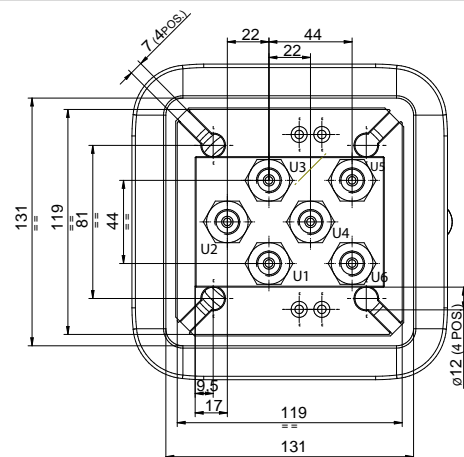
HYDRAULIC CIRCUIT DIAGRAM



INSTALLATION DRAWING



INSTALLATION DRAWING



Supported by a worldwide network



CONTACT INFORMATION

EMEA

GERMANY	Hydreco Hydraulics GmbH, Straelen (NRW)	+49 283494303-41	info-de@hydreco.com
ITALY	Hydreco Hydraulics Italia Srl, Vignola (MO)	+39 059 7700411	sales-it@hydreco.com
NORWAY	Hydreco Hydraulics Norway AS, Nittedal	+47 22909410	post-no@hydreco.com
UK	Hydreco Hydraulics Ltd, Poole, Dorset	+44 (0) 1202 627500	info-uk@hydreco.com

AMERICAS

USA	Hydreco Inc, Rock Hill (SC)	+1 704 295 7575	sales-us@hydreco.com
LATIN AMERICA		+1 704 572 6266	sales-es@hydreco.com

APAC

AUSTRALIA	Hydreco Hydraulics Pty Ltd, Seven Hills (NSW)	+61 2 9838 6800	sales-au@hydreco.com
AUSTRALIA	Hydreco Hydraulics Pty Ltd, Smeaton Grange (NSW)	+61 2 4647 6577	au-smeatongrange@hydreco.com
AUSTRALIA	Hydreco Hydraulics Pty Ltd, Welshpool (WA)	+61 8 9377 2211	reception-wa@hydreco.com
INDIA	Hydreco Hydraulics India Private Ltd, Bangalore	+91 80 67656300	sales-in@hydreco.com