

Technical Data Sheet



CK96 AIR CONTROL KITS

Product Features

Pneumatic Controls

Designed for modern truck cabs, with a compact design, these controls are manufactured to exacting tolerances ensuring consistent, trouble-free operation.

Hydreco Powauto produces a wide variety of controls dependent on your requirements. From hoist only to the most complex truck and trailer assembly.

Configured for discreet fitment – ordering the right control for your truck cab is easy.

Suits:

Truck hoist applications
Truck and trailer applications

- **Integral Plastic Body**
Engineering plastics technology for accuracy and repeated cycles of operation.
- **Clear Decals**
Ergonomically designed for ease of use.
- **Pedestals Included**
Use with or without, depending on requirements.
- **Light**
Visual check when PTO is engaged and auxiliary function operated.
- **Proportional Control**
For better control of the raise/lower function.

POW AUTO

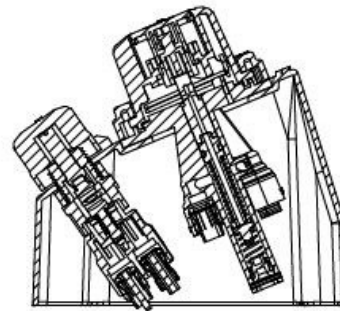
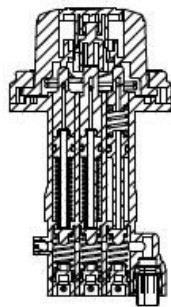
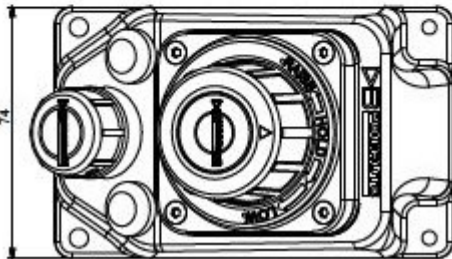
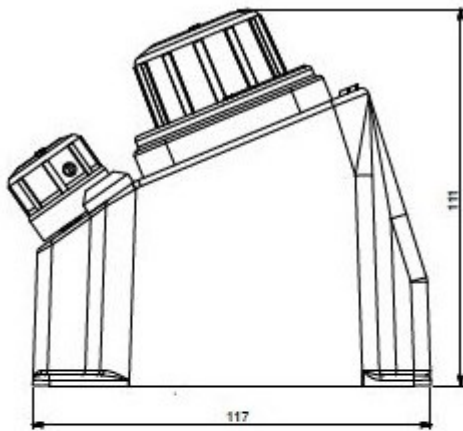
DAVID BROWN
HYDRAULICS

HYDRECO

HYDRECO
POW AUTO
HYDRAULIC SOLUTIONS PROVIDER

www.hydreco.com

Technical Data Sheet



CONTROL KIT DESIGNATION CODES TCU Series CK96

CK 96- # A # B # C

Identifier
CK = Control Kit

Kit Series
96

No of Controls
For more than 1

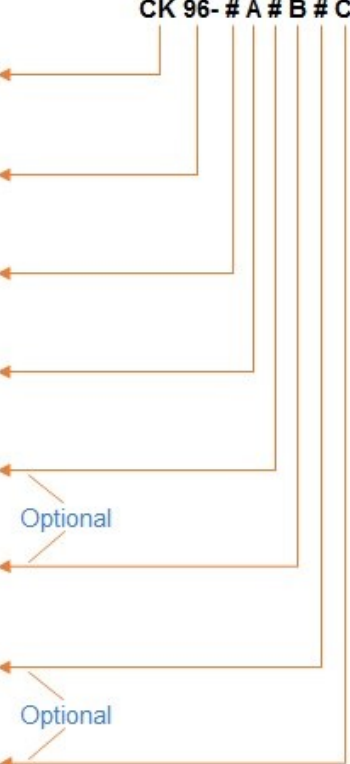
PTO & Hoist Control
A

No of Rotary Switches
For more than 1

Rotary Switch Control
B

No of Toggle Switches
For more than 1

Toggle Switch Control
C



Optional

Optional

Part	Functions	Mounting	Operation
CK96-A	PTO - Hoist	Pedestal *	Detent on hold, raise & lower
CK96-AB	PTO - Hoist with a rotary auxilliary switch	Pedestal *	Detent on hold, raise & lower
CK96-AC	PTO - Hoist with a toggle auxilliary switch	Pedestal *	Detent on hold, raise & lower
CK96-2A2B	Double PTO - Hoist with rotary auxilliary switches	Pedestal *	Detent on hold, raise & lower
CK96-2A2C	Double PTO - Hoist with toggle auxilliary switches	Pedestal *	Detent on hold, raise & lower

* Pedestal supplied with all controls. A template is supplied if dash mounting is required instead.

Spares: No user serviceable parts available. Refer to Hydreco or you dealer for replacement.

DISTRIBUTOR:

Doc: CK96—03/17

POWAUTO

DAVID BROWN
HYDRAULICS

HYDRECO

HYDRECO
POWAUTO
HYDRAULIC SOLUTIONS PROVIDER

www.hydreco.com