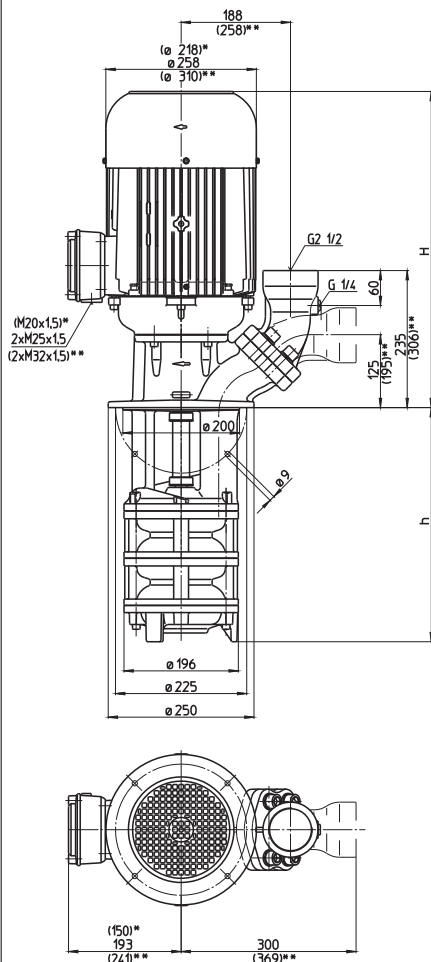


Immersion Pumps

STA1301...1303

Semi-open impellers

STA1301, 1302 STA1303



*) Dimensions for STA1301
**) Dimensions for STA1303

Type	Vol. del. at manom. del. head l/min / m	Height H mm	Depth of immersion h mm	Weight kg	Power kW	Voltage 3~ V	Fre- quen- cy Hz	Current A	Speed 1/min
STA1301/210	900/12	533	210	68	5.0	220-240	50	17.3	2920
310			310	71					
440			440	75					
560			560	80	5.75	460	60	9.5	3520
760			760	90					
990			990	97					
1110			1110	100					
STA1302/290	900/27	612	290	108	7.5	380-415	50	14.3	2950
390			390	110	8.6	460	60	13.7	3550
520			520	113					
640			640	118					
840			840	130					
1070			1070	137					
STA1303/370	900/40	620	370	143	11.0	380-415	50	20.1	2960
470			470	146	12.6	460	60	19.5	3560
600			600	151					
720			720	155					
920			920	167					
1150			1150	174					

Immersion Pumps

are plain centrifugal pumps with the impeller fitted on the driving shaft extension. They are mounted on top of the container, the pump extension being immersed in the coolant.

The maximum coolant level must stay a few mm/inches below the mounting flange.

The STA serie offers a **flange** with pressure gauge connection port.

The flange can be rotated for either horizontal or vertical pipe connections.



All types are also available as quick-suctioning immersion pumps equipped with "BRINKMANN's Suction De-aeration System". See series SAL.

Applications

Types of fluid
coolants
cooling/cutting oils
Kinematic viscosity
...45 mm²/s (45 cSt)
Pumping temperature
0...80° C
higher temperatures upon request

Construction

Pump body	cast iron
Cover	cast iron
Impellers	cast steel
Shaft	steel
Optional:	
Suction cover	with threaded inlet
Other materials	on request
Noise level	
STA1301	71 dBA
STA1302...STA1303	74 dBA

