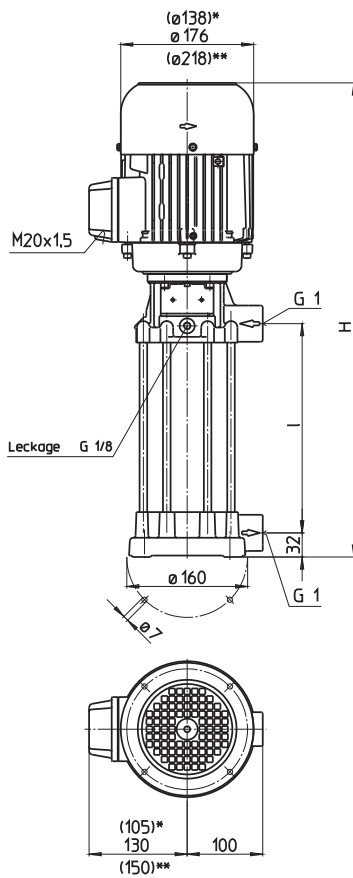


FH4

50 Hz

Closed impellers

FH403...435



*) Dimensions for FH403...FH412
 **) Dimensions for FH428...FH435

Type	Vol. del. at manom. del. head l/min / m	Height H mm	Length l mm	Weight kg	Power kW	Voltage 3 ~ V	Fre- quen- cy Hz	Current A	Speed 1/min
FH403A19	40/18	488	197	17.4	0.45	220-240	50	1.9	2800
FH404A19	40/25			17.5		380-420	50	1.1	2800
FH405A19	40/30	488	197	17.9	0.54	220-240	50	2.42	2800
						380-420	50	1.40	2800
FH406A29	40/36	588	297	18.0					
FH407A29	40/42	629	297	20.9	0.75	220-240	50	3.24	2850
FH408A29	40/50			21.0		380-415	50	1.87	2850
FH409A29	40/56	629	297	22.5	0.85	220-240	50	3.64	2850
						380-415	50	2.10	2850
FH410A29	40/62	629	297	23	0.92	220-240	50	3.8	2840
						380-415	50	2.2	2840
FH411A39	40/68	756	397	24.6	1.1	220-240	50	4.33	2850
FH412A39	40/74			24.8		380-415	50	2.50	2850
FH413A39	40/80	778	397	31	1.3	220-240	50	4.85	2900
						380-415	50	2.80	2900
FH414A39	40/86	778	397	31.5	1.5	220-240	50	5.5	2880
FH415A39	40/95			32.1		380-415	50	3.2	2880
FH416A49	40/104	904	497	34.5	1.7	220-240	50	6.24	2890
FH417A49	40/112			34.9		380-415	50	3.60	2890
FH418A49	40/118	936	497	38.5	1.9	220-240	50	6.84	2900
FH419A49	40/125			38.9		380-415	50	3.95	2900
FH420A49	40/130	936	497	39.5	2.2	220-240	50	7.8	2890
						380-415	50	4.5	2890
FH421A59	40/136	1036	597	41.0					
FH422A59	40/142			41.3					
FH423A59	40/150	1036	597	41.7	2.6	220-240	50	9.30	2880
FH424A59	40/156			42.0		380-415	50	5.35	2880
FH425A59	40/162			42.8					
FH426A69	40/168	1136	697	43.0					
FH427A69	40/175			43.3					
FH428A69	40/182	1129	697	54.2	3.0	220-240	50	10.7	2930
FH429A69	40/190			54.3		380-415	50	6.2	2930
FH430A69	40/198	1129	697	55.8	3.3	220-240	50	11.6	2930
						380-415	50	6.7	2930
FH431A79	40/208	1229	797	56.6					
FH432A79	40/216			57.0					
FH433A79	40/220	1229	797	58.1	4.0	220-240	50	14.50	2920
FH434A79	40/230			58.3		380-415	50	8.35	2920
FH435A79	40/240			58.5					

Pressure Boosting Pumps

series TH and FH use **closed impellers** in order to minimize power consumption and to optimize hydraulic pump efficiencies.

In addition, the TH series offers high pressures at short immersion depths. Inline pumps of the series FH can be used as **boosting pumps** if provided with positive inlet pressure. This inlet pressure can be provided by the central coolant supply or a feed pump. In such a setup, pumps of the series FH can raise the incoming pressure by up to 26 bar.

A **frequency converter** can be supplied for **special applications** or for matching the pump characteristic to a specific duty point.

See page "Control/Regulation" in the Technical Information section of this catalog for further information.

Applications

Types of fluid

Industry water
coolants
cooling/cutting oils

Kinematic viscosity

1 mm²/s (1 cSt)
higher viscosity upon request

Pumping temperature

0...80° C

Construction

Pump body	cast iron
Cover	cast iron
Impellers	CrNi-steel
Shaft	CrNi-steel
Diffusers	CrNi-steel
Mechanical seal	SiC
O-rings	Viton
Optional:	
Pump body	bronze
Cover	bronze

Noise level

FH403...FH412	58 dBA
FH413...FH427	63 dBA
FH428...FH435	71 dBA

