

Technical Data Sheet



PB467 SERIES POWER TAKE-OFF

Product Features

Rear Mount PTO for Mercedes Benz

The 467 series is designed for certain Mercedes Benz transmissions with rear openings, it has a straight through output.

Well proven air shift mechanism for trouble free operation. Flange matched to the transmission output.

PTO outputs for standard industry pumps.

Suits:

Mercedes Benz G131, G210, G211, G230, G231, G240, G241, G260, G280, G281 and G330 transmissions.
(Refer to the eGuide Configurator on www.hydreco.com for confirmation and details)

- **Standard Outputs**
For flexibility in applications
- **Non Standard Rear Mount**
Suits certain Mercedes Benz transmissions.
- **Deep Groove Ball Bearings on Output Shaft**
For longer life and higher performance.
- **Straight Through Output**
Fewer moving parts for greater reliability and higher torque.

POWAUTO

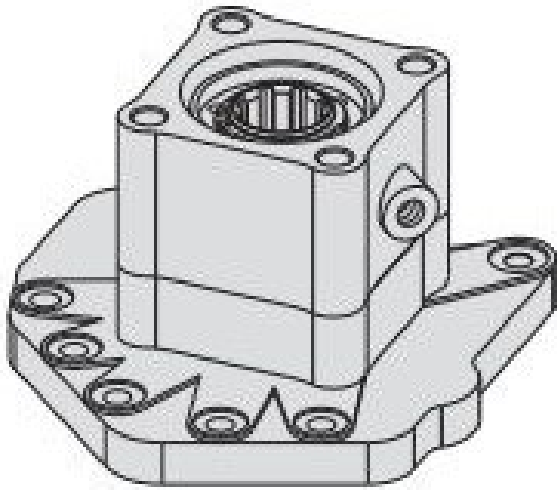
DAVID BROWN
HYDRAULICS

HYDRECO

HYDRECO
POWAUTO
HYDRAULIC SOLUTIONS PROVIDER

www.hydreco.com

Technical Data Sheet



PTO DESIGNATION CODES

467 Series

PB 467 A 23 IN

Identifier

PB = PTO Rear Mount

PTO Series

467

Engagement Type

A = Air

Output Type

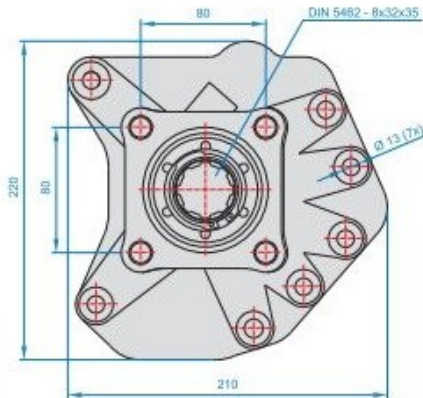
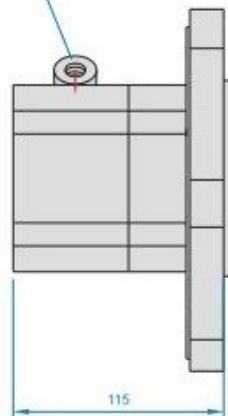
08 = 8T Powauto Hydraulic Spline

23 = 8T Ø36 DIN 5462 Spline - Female and DIN Mount

Options

IN = Intarder fitted to transmission

AIR INLET R 1/4"
HAVA GIRIŞİ R 1/4"



Technical Specifications		
Ratings & Service Parts		
Torque	Nm / ft.lb	255 / 188
Power @ 500 rpm	kW / hp	13.4 / 17.9
Power @ 1000 rpm	kW / hp	26.7 / 35.8
Output Shaft Rotation		Opposite to Engine
Approximate Bare Mass	kg / lb	11.0 / 24.2
Mounting Kit		Included
Seal Kit		SK102

Note: For full details refer to the owners manual or the eGuide configurator found at www.hydreco.com/markets/transport

DISTRIBUTOR:

Doc: PB467—03/17

POWAUTO

DAVID BROWN
HYDRAULICS

HYDRECO

HYDRECO
POWAUTO
HYDRAULIC SOLUTIONS PROVIDER

www.hydreco.com