

Technical Data Sheet



PA401 SERIES POWER TAKE-OFF

Product Features

Heavy Duty 6 Bolt Side Mounted Power Take-Off

The 401 series is designed to fit many Isuzu transmissions with a 6 bolt opening. It is a heavy duty deep reach design.

The 6 bolt flange fits certain Isuzu transmissions in both manual and AMT configurations allowing for a compact fit on these gearboxes.

Suits:

Isuzu MYY5A, MYY5T, MYY6S & MYY6P transmissions.

(Refer to the eGuide Configurator on www.hydreco.com for confirmation and details)

- **Deep Reach**
Meshes with many Isuzu transmissions.
- **Variety of Engagement Types**
To suit many different truck applications.
- **Helical Gears**
Quieter operation.
- **Constant Mesh Gears**
Less potential for gearbox damage through misuse.
- **Heavy Duty Tapered Roller Bearings**
For long life and better support for the idler gear.

POWAUTO

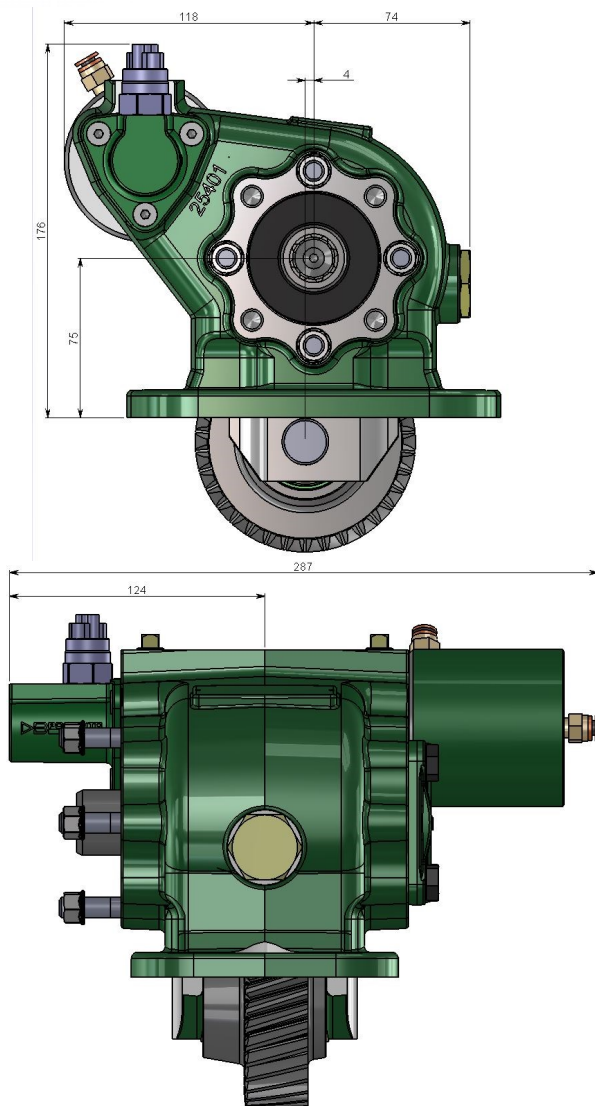
DAVID BROWN
HYDRAULICS

HYDRECO

HYDRECO
POWAUTO
HYDRAULIC SOLUTIONS PROVIDER

www.hydreco.com

Technical Data Sheet



PTO DESIGNATION CODES

401 Series

PA 401 EJ L14 V 08 *

Identifier

PA = PTO Side Mount

PTO Series

401

Gear Type

EH1, EJ

Build

L = Left side of transmission

1 = Selector to top / Bias to bottom

2 = Selector to bottom / Bias to top

4 = Rear to centre

(Position of gear in transmission)

Engagement Type

A = Air

C = Cable

V = Vacuum

Output Type

08 = 8T Powauto Hydraulic Spline

13 = 13T SAE B Hydraulic Spline + SAE B Pump Mount

16 = Ø30 Taper Shaft - 1" x ¼" Key - 35 x 60 Flange

17 = Ø30 Taper Shaft - 1" x ¼" Key - 1410 Flange

25 = 9T SAE A Hydraulic Spline + SAE A Pump Mount

35 = Ø30 Taper Shaft - 1" x 5/16" Key - 50 x 62.5 Flange

Other outputs available on request, subject to MOQ.

Manufacturers Code

A = With Pressure Switch

B = With Mounting Kit

Technical Specifications		
Ratings & Service Parts		
Torque	Nm / ft.lb	336 / 247
Power @ 500 rpm	kW / hp	17.5 / 23.5
Power @ 1000 rpm	kW / hp	35.0 / 47.0
Output Shaft Rotation		Opposite To Engine
Approximate Bare Mass	kg / lb	13.0 / 28.6
Mounting Kit		MK1146
Mounting Gasket Kit		GK001
Seal Kit		SK064 / SK039B (Vac)
Bearing Kit		BK064 / BK039B (Vac)

Note: For full details refer to the owners manual or the eGuide configurator found at www.hydreco.com/markets/transport

DISTRIBUTOR:

Doc: PA401—03/17

www.hydreco.com

POWAUTO

DAVID BROWN
HYDRAULICS

HYDRECO

HYDRECO
POWAUTO
HYDRAULIC SOLUTIONS PROVIDER