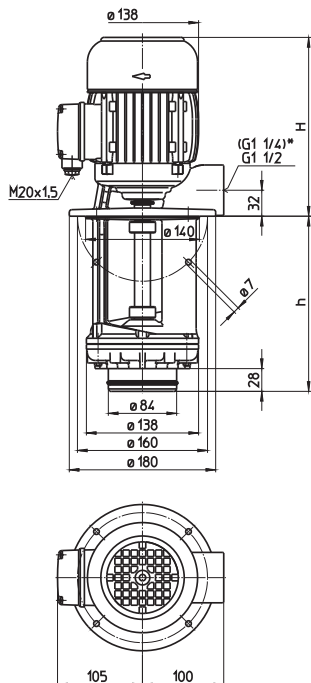


Suction Immersion Pumps

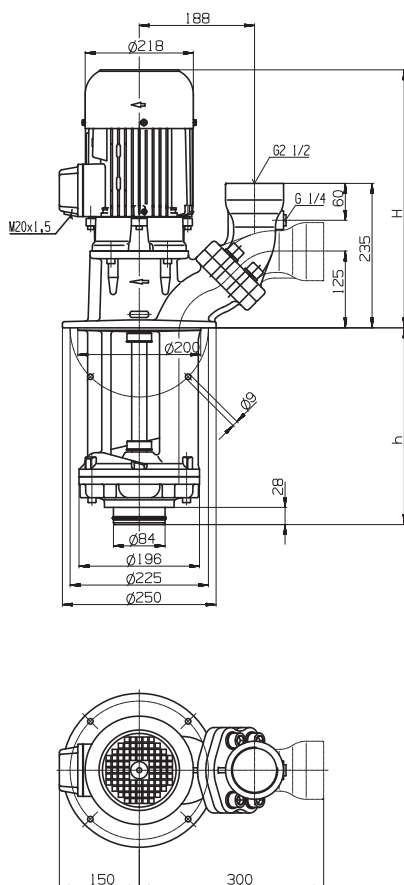
TAS/STS301...1001

Axial/semi-open impellers

TAS301, 401 TAS601



STS1001



*) Dimensions for TAS301

Type	Vol. del. at manom. del. head l/min / m	Height H mm	Depth of immersion h mm	Weight kg	Power kW	Voltage 3~ V	Fre- quen- cy Hz	Current A	Speed 1/min		
TAS301/140	200/5	223	136	13.5	0.55	220-240	50	2.50	2750		
220			216	14.0							
290			286	14.5		380-420	50	1.45		2750	
370			366	15.0							
460			456	17.0		460	60	1.45		3250	
570			566	18.5							
TAS401/140	250/5	264	136	14.5	0.85	220-240	50	3.64	2850		
220			216	15.5							
290			286	16.5	0.98	380-415	50	2.10	2850		
370			366	17.5							
460			456	18.5		460	60	2		3450	
570			566	19.5							
TAS601/150	400/4	291	144	17.5		1.1	220-240	50		4.33	2850
230			224	18.0							
300			294	19.0	1.27	380-415	50	2.50	2850		
380			374	20.0							
470			464	21.5		460	60	2.4		3440	
580			574	22.5							
STS1001/230	600/14	503	216	65		3.3	220-240	50		11.6	2930
330			316	67							
460			446	70	3.8	380-415	50	6.7	2930		
580			566	74							
780			766	86		460	60	6.4		3520	
1010			996	92							

Suction Immersion Pumps

series TAS/STS make it possible to connect to vacuum filters through their simple connection on the suction side (for instance, with a slot screen).

Suction immersion pumps without seals are positioned in the area of unfiltered coolant in the tank.

With their robust design, they allow operating pressures of - 0.3 bar to - 0.5 bar on the suction side.

The STS serie offers a flange with pressure gauge connection port.

The flange can be rotated for either horizontal or vertical pipe connections.



All types specified are also available as multistage pumps e.g. STS304/610.

See series TA/STA.

Applications

Types of fluid
coolants
cooling/cutting oils

Kinematic viscosity
...45 mm²/s (45 cSt)

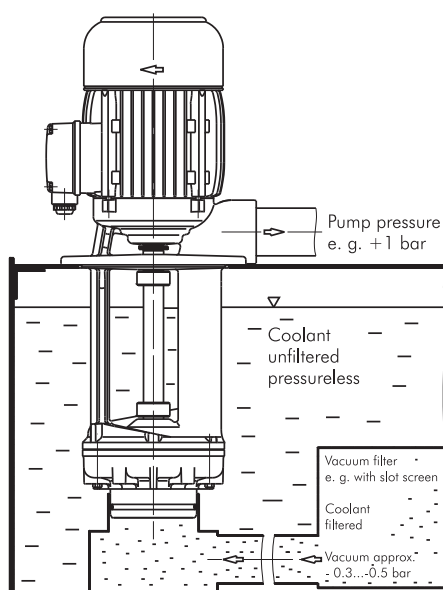
Pumping temperature
0...60° C

Construction

Pump body	cast iron
Cover	cast iron
Impeller axial	cast steel
Impeller radial	brass
	cast steel (STS1001)
Shaft	steel

Optional:
Impeller radial cast steel
(TAS301...TAS601)

Noise level	
TAS301	60 dBA
TAS401...TAS601	62 dBA
STS1001	71 dBA



Suction connection

Intake cover cast iron
with O-Ring 78 x 4 mm Viton

for
Connecting pipe
86.0...86.8 mm inner-Ø

