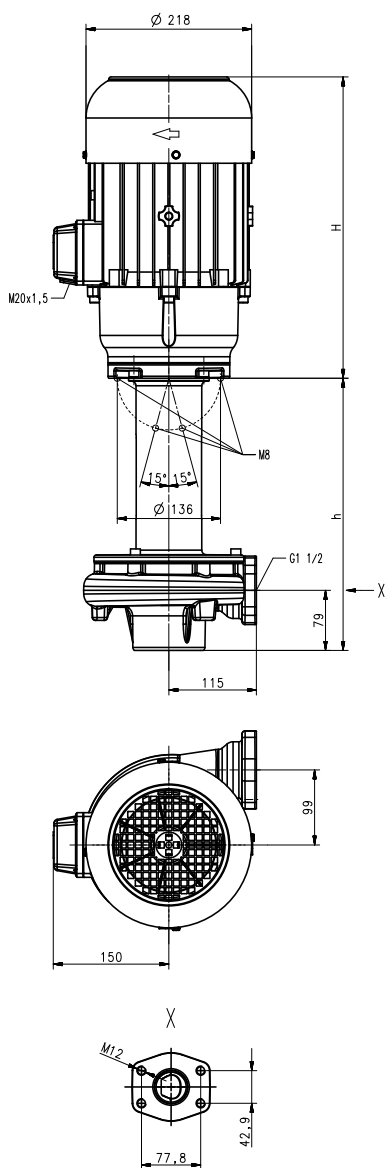


TVA900

Semi-open impellers

TVA900



| Type | Vol. del. at manom. del. head l/min / m | Height H mm | Depth of immersion h mm | Weight kg | Power kW | Voltage 3~ V | Fre- quen- cy Hz | Current A | Speed 1/min |
|-------------------|--|----------------|----------------------------|--------------|-------------|--------------------|---------------------------|--------------|----------------|
| TVA900/360 | 500/19 | 396 | 358 | 63 | 3.3 | 220-240 | 50 | 11.6 | 2930 |
| 580 | | | 578 | 69 | | | | | |
| 880 | | | 878 | 82 | | | | | |
| 1100 | | | 1098 | 88 | | | | | |
| TVA900/360 | 500/32 | 426 | 358 | 69 | 5.75 | 460 | 60 | 9.5 | 3520 |
| 60Hz | | | 578 | 75 | | | | | |
| 60Hz | | | 878 | 88 | | | | | |
| 880 | | | 1098 | 94 | | | | | |
| 60Hz | | | | | | | | | |
| 1100 | | | | | | | | | |

Stainless Steel Immersion Pumps

are centrifugal pumps of compact design with a **semi-open impeller** mounted directly onto the extended motor shaft. The **TVA** pump series achieves **very good hydraulic efficiencies** while being well suited for handling small metal chips and fines. This makes this pump series the perfect choice for industrial washing applications of metal parts. Complete pump and plate assemblies, including discharge pipe and mounting plate are available upon request.

Applications

Types of fluid
 Industry water
 coolants
 cooling/cutting oils
 lees / solvents
 de-ionized water
 Kinematic viscosity
 ...20 mm²/s (20 cSt)
 Pumping temperature
 0...90° C
 Max. chip to coolant ratio by weight:
 0.03 %

Construction

| | |
|---------------|---------------------|
| Pump body | CrNi-steel |
| Cover | CrNi-steel |
| Impeller | CrNi-steel |
| Shaft | CrNi-steel |
| Optional: | |
| Suction cover | with threaded inlet |
| Noise level | |
| TVA900 | 71 dBA |
| TVA900/60Hz | 74 dBA |

