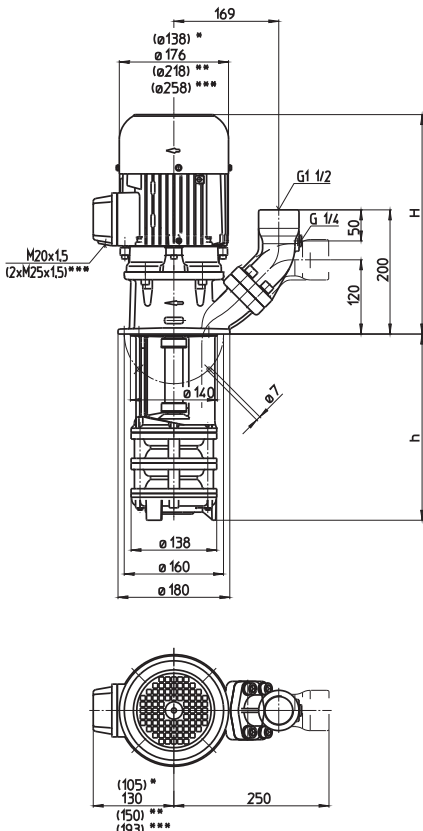


Immersion Pumps

STA401...409

Semi-open impellers

STA401...409



- *) Dimensions for STA401
- **) Dimensions for STA405, 406, 407
- ***) Dimensions for STA409

Type	Vol. del. at manom. del. head l/min /m	Height H mm	Depth of immersion h mm	Weight kg	Power kW	Voltage 3~ V	Fre- quen- cy Hz	Current A	Speed 1/min
STA401/120	250/5	334	120	21.5	0.85	220-240	50	3.64	2850
200			200	22.5		380-415	50	2.10	2850
270			270	23.5					
350			350	24.5	0.98	460	60	2	3450
440			440	25.5					
550			550	27.5					
750			750	34.0					
900			900	36.0					
STA402/170	250/12	380	170	31.0	1.3	220-240	50	4.85	2900
250			250	32.5		380-415	50	2.80	2900
320			320	33.5	1.49	460	60	2.7	3500
400			400	34.5					
490			490	35.5					
600			600	37.0					
800			800	44.0					
950			950	46.0					
STA403/220	250/20	439	220	40	1.9	220-240	50	6.84	2900
300			300	41		380-415	50	3.95	2900
370			370	42	2.18	460	60	3.9	3500
450			450	43					
540			540	44					
650			650	46					
850			850	52					
1000			1000	55					
STA404/270	250/27	439	270	44	2.6	220-240	50	9.30	2880
350			350	45		380-415	50	5.35	2880
420			420	46	2.94	460	60	5.1	3480
500			500	48					
590			590	49					
700			700	51					
900			900	57					
1050			1050	59					
STA405/320	250/33	478	320	57	3.3	220-240	50	11.6	2930
400			400	58		380-415	50	6.7	2930
470			470	59	3.8	460	60	6.4	3520
550			550	60					
640			640	61					
750			750	64					
950			950	70					
1100			1100	72					
STA406/370	250/39	478	370	59	4.0	220-240	50	14.50	2920
450			450	61		380-415	50	8.35	2920
520			520	62	4.55	460	60	7.9	3520
600			600	63					
690			690	64					
800			800	66					
1000			1000	73					
STA407/420	250/45	508	420	71	5.0	220-240	50	17.3	2920
500			500	72		380-415	50	10.0	2920
570			570	73	5.75	460	60	9.5	3520
650			650	75					
740			740	76					
850			850	78					
STA409/520	250/52	549	520	97	6.0	380-415	50	11.2	2950
600			600	98	6.9	460	60	10.7	3550
670			670	99					
750			750	100					
840			840	102					
950			950	104					


Immersion Pumps


are plain centrifugal pumps with the impeller fitted on the driving shaft extension. They are mounted on top of the container, the pump extension being immersed in the coolant.

The maximum coolant level must stay a few mm/inches below the mounting flange.

The STA serie offers a **(SAE) flange** with pressure gauge connection port.

The flange can be rotated for either horizontal or vertical pipe connections.

 All types are also available as quick-suctioning immersion pumps equipped with "BRINKMANN's Suction De-aeration System". See series SAL.

 All types are also available as suction immersion pump with a connection to the vacuum filters on the suction side. See series STS.

Applications

Types of fluid
coolants
cooling/cutting oils
Kinematic viscosity
...45 mm²/s (45 cSt)
Pumping temperature
0...80° C
higher temperatures upon request

Construction

Pump body	cast iron
Cover	cast iron
Impellers	brass
Shaft	steel
Optional:	
Suction cover	with threaded inlet
Impellers	cast steel
Noise level	
STA401	62 dBA
STA402...STA404	66 dBA
STA405...STA407	71 dBA
STA409	74 dBA

