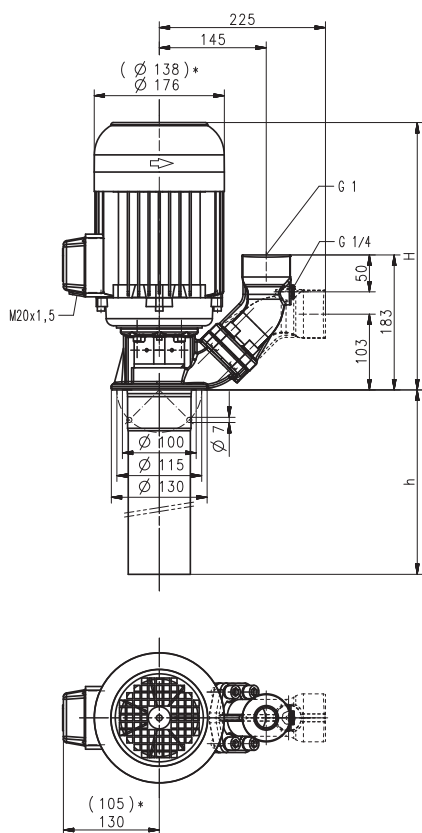


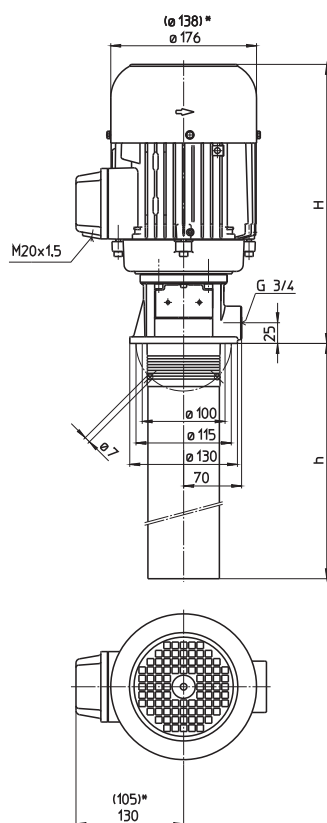
# Immersion Pumps (S)TC25

## Closed impellers

### STC25/260...810



### TC25/260...810



\*) Dimensions for (S)TC25/260...805

Type	Vol. del. at manom. del. head l/min / m	Height H mm	Depth of im- mersion h mm	Weight kg	Power kW	Voltage 3~ V	Fre- quen- cy Hz	Current A	Speed 1/min
<b>(S)TC25/260</b>	10/28	276	260	10.5	0.38	220-240	50	1.75	2750
						380-420	50	1.00	2750
						460	60	1.00	3250
<b>(S)TC25/340</b>	10/45	276	335	11.5	0.5	220-240	50	2.42	2800
						380-420	50	1.40	2800
						460	60	1.40	3300
<b>(S)TC25/430</b>	10/63	276	430	12.5	0.63	220-240	50	2.6	2750
						380-420	50	1.5	2750
						460	60	1.5	3250
<b>(S)TC25/550</b>	10/85	345	565	16.5	1.1	220-240	50	4.33	2850
						380-415	50	2.50	2850
					1.27	460	60	2.4	3440
<b>(S)TC25/805</b>	10/110	345	810	18.5	1.1	220-240	50	4.33	2850
						380-415	50	2.50	2850
					1.27	460	60	2.4	3440
<b>(S)TC25/810</b>	10/140	367	810	25	1.5	220-240	50	5.5	2880
						380-415	50	3.2	2880
					1.75	460	60	3.1	3470

### Immersion Pumps

Our multistage pump models (S)TC25... (S)TC460 have been especially developed to supply **internally cooled tools** with coolant fluid.

**Closed impellers** provide optimal hydraulic efficiencies while minimizing power consumption.

A **frequency converter** can be supplied for **special applications** or for matching the pump characteristic to a specific duty point.

See page "Control/Regulation" in the Technical Information section of this catalog for further information.

**Extended length is possible.** See medium pressure pumps features within the technical information section.

### Applications

- Types of fluid
  - Industry water
  - coolants
  - cooling/cutting oils
- Kinematic viscosity
  - ...25 mm<sup>2</sup>/s (25 cSt)
- Pumping temperature
  - 0...60° C

### Construction

Pump body	cast iron
Pump shell	steel
Cover	PBTP
Intake strainer	steel
Impellers	PBTP
Shaft	steel
Mechanical seal	SiC
O-rings	Viton
Optional:	
Pump body	CrNi-steel
Threaded inlet	G 1 ¼

Noise level	
(S)TC25/260...(S)TC25/805	58 dBA
(S)TC25/810	63 dBA

