

HPVM SERIES

HYDRAULIC PILOT
CONTROL



HYDRAULIC PILOT CONTROL

HPVM Pilot Control Valves are part of the extensive range of Hydreco Hydraulics products.

This product, with its single lever control, supported by an extensive range of characteristics and handles is suitable for a wide range of both mobile and industrial applications.

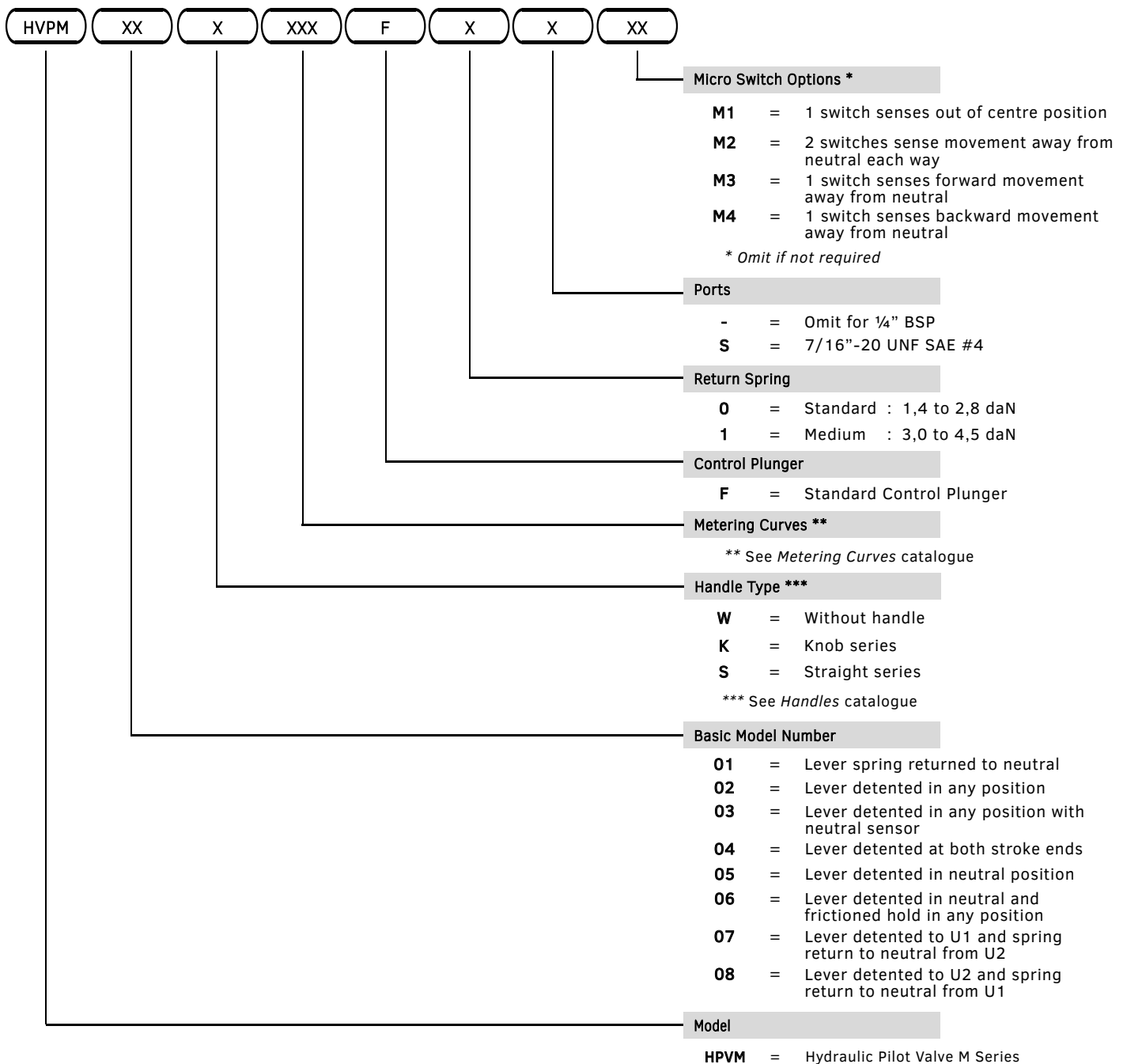
Our engineers can offer special support to optimise this product to suit your application.

BENEFITS

- Compact and lightweight
- Suitable for armrest of console mounting
- Compatible with a wide range of product
- Operator is protected from high temperature components
- Low hysteresis, high accuracy, pressure control curves
- Wide range of electrical options in both standard and multifunctional ergonomic handles
- Low effort lever control

HPVM SERIES - MODEL CODING

Hydreco Hydraulics reserves the right to update the information and data contained in this catalogue at any time without notice

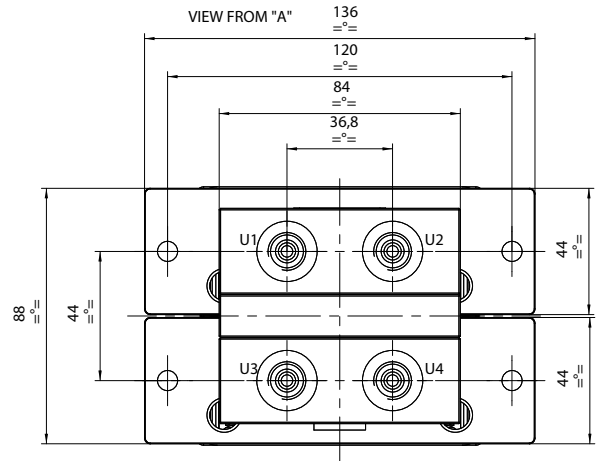


Example: HYDRAULIC PILOT VALVE M SERIES, LEVER SPRING RETURNED TO NEUTRAL, DURO PLAST KNOB HANDLE, METERING CURVE n. 049, STANDARD PLUNGER, RETURN SPRING 0 + 2x HYDRAULIC PILOT VALVE M SERIES, LEVER DETENTED IN ANY POSITION, DUROPLAST KNOB HANDLE, METERING CURVE n. 090, STANDARD PLUNGER, RETURN SPRING 0 : **HPVM-01-KB-049-F-0 + 02-KB-090-F-0 / x2**

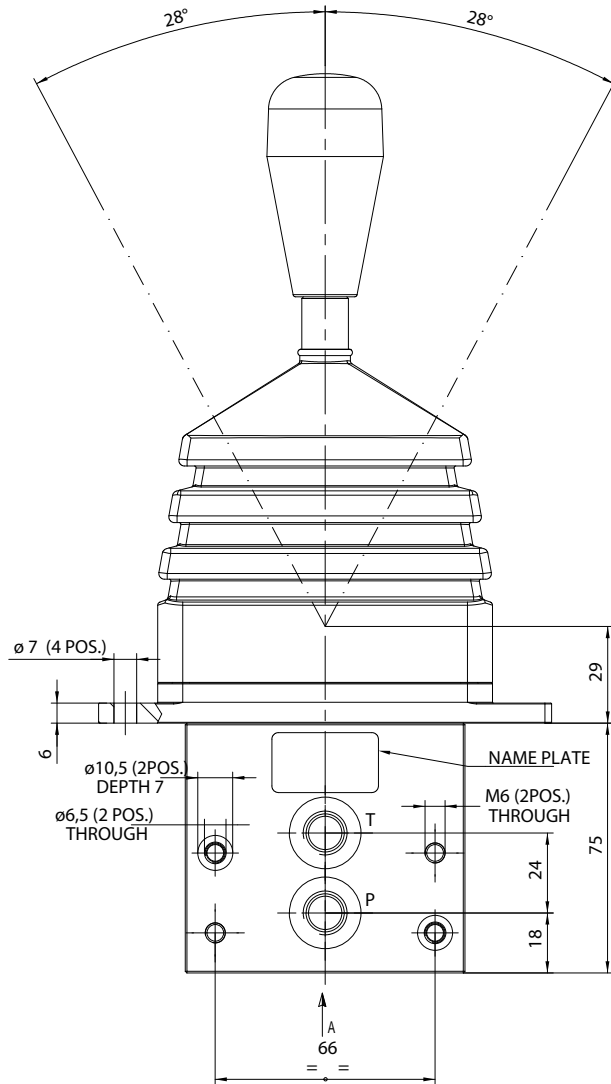
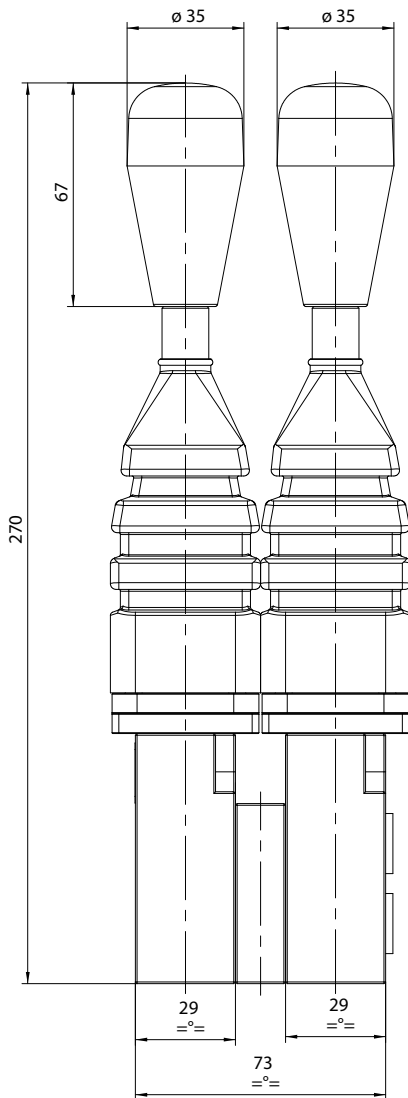
TECHNICAL FEATURES

Port options: P, T, U1, U2, U3, U4: 1/4 " BSP
 Max inlet pressure at Port P: 50 bar
 Max inlet pressure at Port T: 3 bar
 Inlet flow range: 5 to 20 litre/min
 Maximum hysteresis band: +/- 0.5 bar
 Fluid: Hydraulic Mineral Oil ISO HM and HV
 Contamination class: 20/18/15 - ISO 4406:1999
 Fluid temperature range: -20° to 80° C

HPVM/x2 FOOTPRINT



HPVM/x2



Extra Pilot Valve Sections can be added as required. On a third section the ports will be designated U5 and U6, on a fourth section the ports will be designated U7 and U8 etc.

Supported by a worldwide network



CONTACT INFORMATION

EMEA

GERMANY	Hydreco Hydraulics GmbH, Straelen (NRW)	+49 283494303-41	info-de@hydreco.com
ITALY	Hydreco Hydraulics Italia Srl, Vignola (MO)	+39 059 7700411	sales-it@hydreco.com
NORWAY	Hydreco Hydraulics Norway AS, Nittedal	+47 22909410	post-no@hydreco.com
UK	Hydreco Hydraulics Ltd, Poole, Dorset	+44 (0) 1202 627500	info-uk@hydreco.com

AMERICAS

USA	Hydreco Inc, Rock Hill (SC)	+1 704 295 7575	sales-us@hydreco.com
LATIN AMERICA		+1 704 572 6266	sales-es@hydreco.com

APAC

AUSTRALIA	Hydreco Hydraulics Pty Ltd, Seven Hills (NSW)	+61 2 9838 6800	sales-au@hydreco.com
AUSTRALIA	Hydreco Hydraulics Pty Ltd, Smeaton Grange (NSW)	+61 2 4647 6577	au-smeatongrange@hydreco.com
AUSTRALIA	Hydreco Hydraulics Pty Ltd, Welshpool (WA)	+61 8 9377 2211	reception-wa@hydreco.com
INDIA	Hydreco Hydraulics India Private Ltd, Bangalore	+91 80 67656300	sales-in@hydreco.com