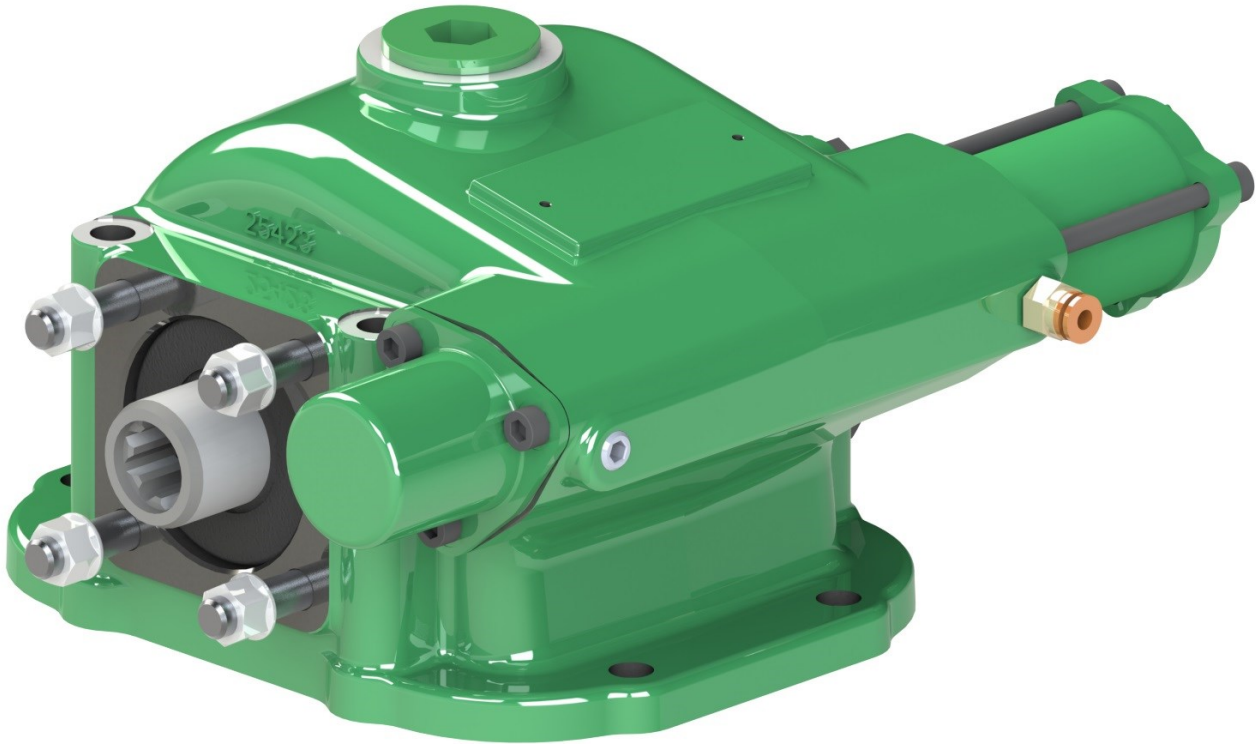


Technical Data Sheet



PA859 SERIES POWER TAKE-OFF

Product Features

8 Bolt Single Gear Side Mounted Power Take-Off

The 859 series is a single reduction PTO designed for Isuzu MZX12P AMT transmissions with an 8 bolt opening.

Continuing Hydreco Powauto's commitment to maximum torque output, this PTO achieves superior strength with minimum size and is economically priced.

Suits:

Isuzu MZX12P AMT transmissions.
(Refer to the eGuide Configurator on www.hydreco.com for confirmation and details)

- **Output Speed 97.5% of Engine Speed**
For maximum torque output for pump operation.
- **Air Shift Operated**
For ease of engagement.
- **Single Gear Design**
For simple and smooth operation.
- **Large Range of Outputs**
To allow close coupling or remote mounting of the pump.
- **Tapered Roller Bearings**
For higher torque capacity.

POWAUTO

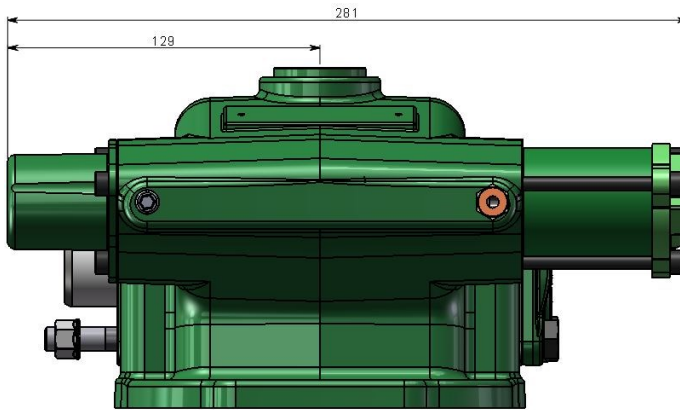
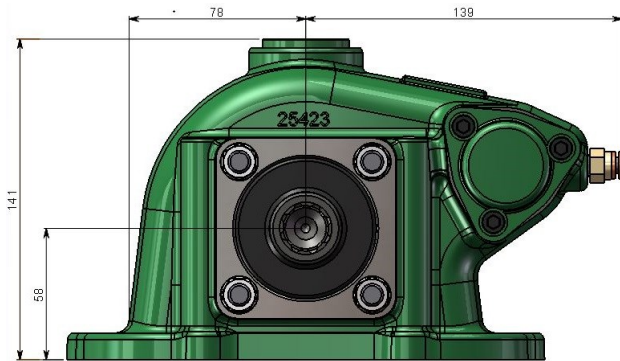
DAVID BROWN
HYDRAULICS

HYDRECO

HYDRECO
POWAUTO
HYDRAULIC SOLUTIONS PROVIDER

www.hydreco.com

Technical Data Sheet



PTO DESIGNATION CODES

859 Series

PA 859 N2 L11 K 08 *

Identifier
PA = PTO Side Mount

PTO Series
859

Gear Type
N2

Build
L = Left side of transmission
1 = Selector to top / Bias to bottom
1 = Centre to front
(Position of gear in transmission)

Engagement Type
K = Air - Pull to engage

Output Type
08 = 8T Powauto Hydraulic Spline
10 = 14T 12/24 30° Spline + 1310 Flange
Other outputs available on request, subject to MOQ.

Manufacturers Code
A = With Pressure Switch
B = With Mounting Kit
C = With Mounting Kit & PTO Control Kit

Technical Specifications		
Ratings & Service Parts		
Torque	Nm / ft.lb	490 / 361
Power @ 500 rpm	kW / hp	25.6 / 34.4
Power @ 1000 rpm	kW / hp	51.3 / 68.7
Output Shaft Rotation		Opposite to Engine
Approximate Bare Mass	kg / lb	13.5 / 29.7
Mounting Kit		MK1186
Mounting Gasket Kit		GK029
Seal Kit		SK085A
Bearing Kit		BK085A

Note: For full details refer to the owners manual or the eGuide configurator found at www.hydreco.com/markets/transport

DISTRIBUTOR:

Doc: PA859—03/17

www.hydreco.com

POWAUTO

DAVID BROWN
HYDRAULICS

HYDRECO

HYDRECO
POWAUTO
HYDRAULIC SOLUTIONS PROVIDER