

Technical Data Sheet



PB450 SERIES POWER TAKE-OFF

Product Features

Rear Mount PTO for Iveco

The 450 series is designed for certain Iveco transmissions with rear openings, it has a low ratio output for extra torque.

Continuing Hydreco Powauto's commitment to maximum torque output this PTO's design has higher specifications than most similar competing PTO's.

Suits:

Iveco 2845.6 and 2855.6 transmissions.
(Refer to the eGuide Configurator on www.hydreco.com for confirmation and details)

- **Output Speeds 56.7 to 76.9% of Engine Speed (Transmission Dependant)**
Provides extra torque for normal engine speed.
- **Standard Outputs**
For flexibility in applications
- **Standard DIN 4 Bolt Rear Mount**
For ease of fitment
- **Deep Groove Ball Bearings**
For longer life and higher performance.
- **Low Ratio Output**
For extra torque in critical applications.

POWAUTO

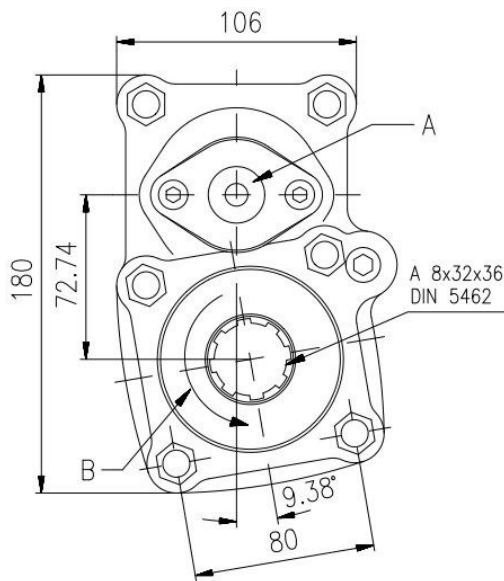
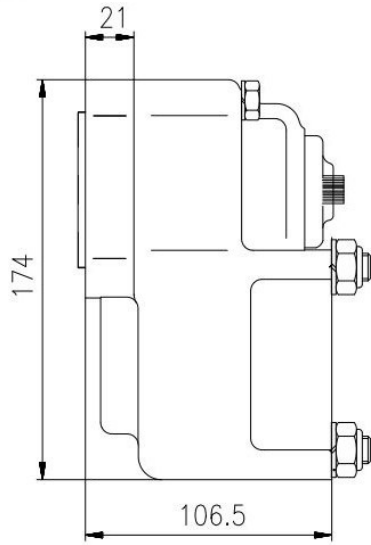
DAVID BROWN
HYDRAULICS

HYDRECO

HYDRECO
POWAUTO
HYDRAULIC SOLUTIONS PROVIDER

www.hydreco.com

Technical Data Sheet



PTO DESIGNATION CODES

450 Series

Identifier

PB = PTO Rear Mount

PTO Series

450

Engagement Type

A = Air

Output Type

08 = 8T Powauto Hydraulic Spline

23 = 8T Ø36 DIN 5462 Spline - Female and DIN Mount

PB 450 A 23

Technical Specifications		
Ratings		
Torque	Nm / ft.lb	420 / 310
Power @ 500 rpm	kW / hp	22.0 / 29.5
Power @ 1000 rpm	kW / hp	44.0 / 59.0
Output Shaft Rotation		Same as Engine
Approximate Bare Mass	kg / lb	9.0 / 19.8
Mounting Kit		Included

Note: For full details refer to the owners manual or the eGuide configurator found at www.hydreco.com/markets/transport

DISTRIBUTOR:

Doc: PB450—03/17

POWAUTO

DAVID BROWN
HYDRAULICS

HYDRECO

HYDRECO
POWAUTO
HYDRAULIC SOLUTIONS PROVIDER

www.hydreco.com