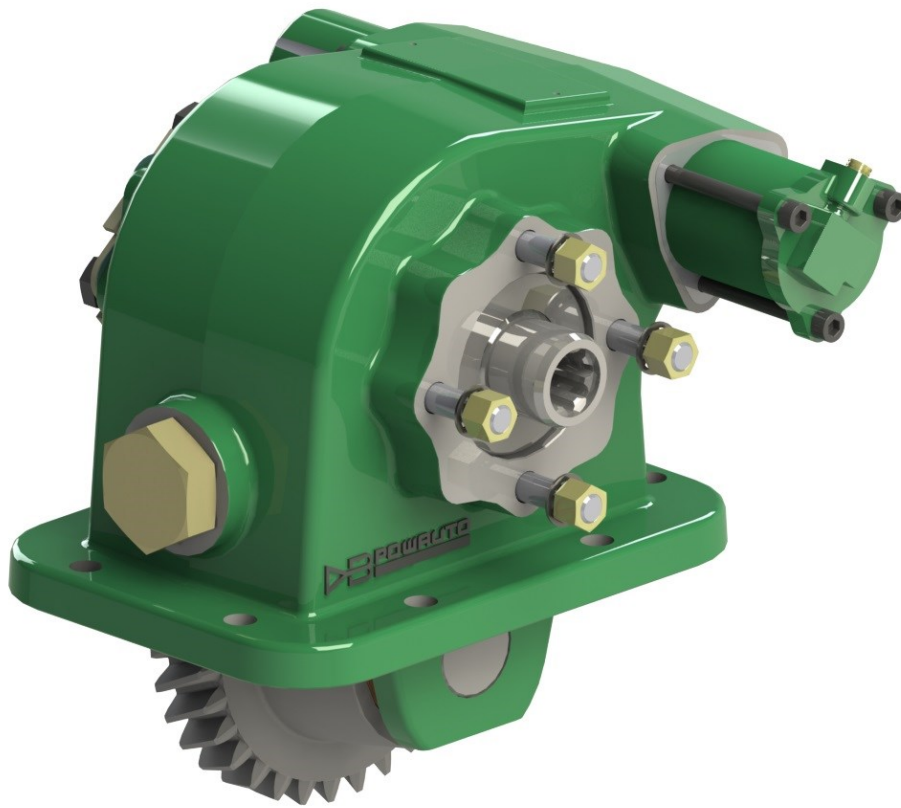


Technical Data Sheet



PA371 SERIES POWER TAKE-OFF

Product Features

8 Bolt Deep Reach Side Mounted Power Take-Off

The 371 series is designed for Isuzu MLD gearboxes with non standard 8 bolt openings, it has an optimised output ratio for most applications.

The PTO is supplied with an extra deep reach gear to mesh with the countershaft gear deep inside the transmission.

Suits:

Certain Isuzu MLD transmissions.
(Refer to the eGuide Configurator on www.hydreco.com for confirmation and details)

- **Output Speeds 72 to 108% of Engine Speed (Transmission Dependant)**
For high flow pump requirements.
- **High Capacity Idler Bearings**
For longer life.
- **Variety of Outputs**
To suit a wide variety of pumps.
- **Versatile Design**
For ease of installation.

POWAUTO

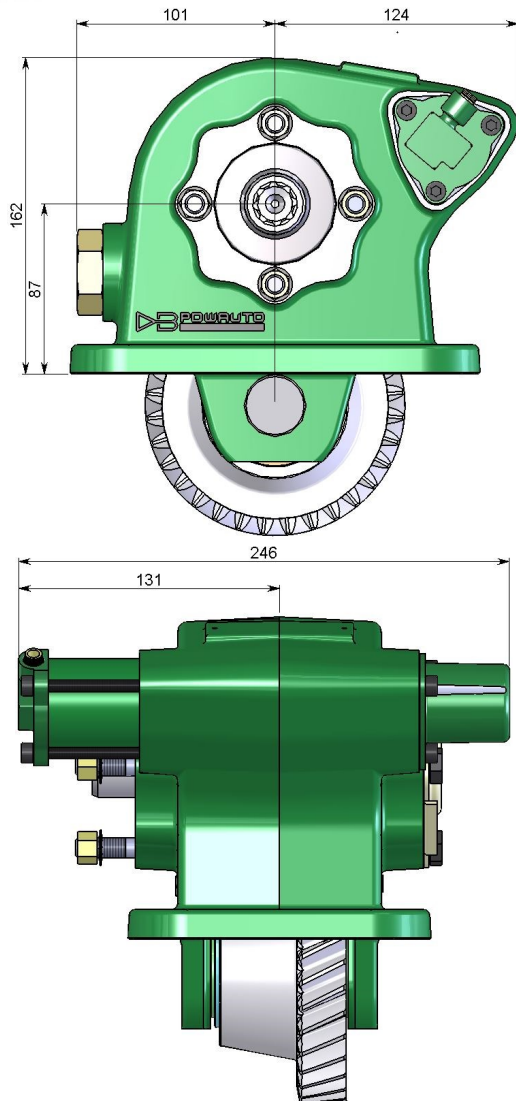
DAVID BROWN
HYDRAULICS

HYDRECO

HYDRECO
POWAUTO
HYDRAULIC SOLUTIONS PROVIDER

www.hydreco.com

Technical Data Sheet



PTO DESIGNATION CODES

371 Series

PA 371 SE L11 A 08 *

Identifier

PA = PTO Side Mount

PTO Series

371

Gear Type

SE

Build

L = Left side of transmission

1 = Selector to top / Bias to bottom

1 = Centre to front

(Position of gear in transmission)

Engagement Type

A = Air

Output Type

08 = 8T Powauto Hydraulic Spline

09 = 14T 12/24 30° Spline + 35 x 60 Flange

10 = 14T 12/24 30° Spline + 1310 Flange

11 = 14T 12/24 30° Spline + 1410 Flange

13 = 13T SAE B Hydraulic Spline + SAE B Pump Mount

23 = 8T Ø36 DIN 5462 Spline - Female and DIN Mount

25 = 9T SAE A Hydraulic Spline + SAE A Pump Mount

26 = 14T 12/24 30° Spline + SAE C 2 & 4 Bolt Mount

36 = 14T 12/24 30° Spline + 50 x 62.5 Flange

Other outputs available on request, subject to MOQ.

Manufacturers Code

A = With Pressure Switch

B = With Mounting Kit

Technical Specifications		
Ratings & Service Parts		
Torque	Nm / ft.lb	363 / 267
Power @ 500 rpm	kW / hp	19.0 / 25.4
Power @ 1000 rpm	kW / hp	37.9 / 50.8
Output Shaft Rotation		Opposite To Engine
Approximate Bare Mass	kg / lb	11.0 / 24.2
Mounting Kit		MK1176A
Mounting Gasket Kit		GK020
Seal Kit		SK076
Bearing Kit		BK076

Note: For full details refer to the owners manual or the eGuide configurator found at www.hydreco.com/markets/transport

DISTRIBUTOR:

Doc: PA371—03/17

www.hydreco.com

POWAUTO

DAVID BROWN
HYDRAULICS

HYDRECO

HYDRECO
POWAUTO
HYDRAULIC SOLUTIONS PROVIDER