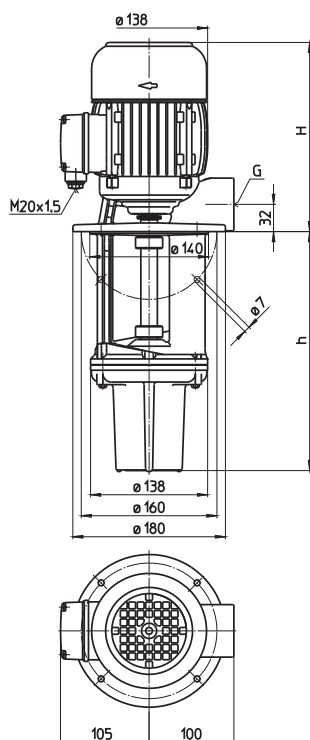


# Lifting Pumps TAA140...280

## Axial impellers

### TAA140, 280



Type	Vol. del. at manom. del. head l/min / m	Height H mm	Depth of im- mersion h mm	Pipe con- nection	Weight kg	Power kW	Voltage 3~ V	Fre- quen- cy Hz	Current A	Speed 1/min
<b>TAA140/200</b>	180/2	223	200	G 1 ¼	15	0.42	220-240	50	1.4	2800
	280		280		16		380-420	50	0.8	2800
	350	350	17	460	60	0.8	3300			
<b>TAA280/200</b>	360/2	264	200	G 1 ½	17	0.92	220-240	50	3.8	2840
	280		280		18		380-415	50	2.2	2840
	350	350	19	1.06	460	60	2.1	3440		

### Lifting Pumps

series TAA gently pump foam-sensitive cooling lubricants (emulsions or cooling and cutting oils) or highly inflated cooling lubricants such as occur with a high degree of machining in lathing, milling or grinding.

### Applications

Types of fluid  
coolants  
cooling/cutting oils  
Kinematic viscosity  
...45 mm<sup>2</sup>/s (45 cSt)  
Pumping temperature  
0...60° C

### Construction

Pump body	cast iron
Cover	cast iron
Impellers	cast iron
Shaft	steel
Noise level	
TAA140...TAA280	62 dBA

