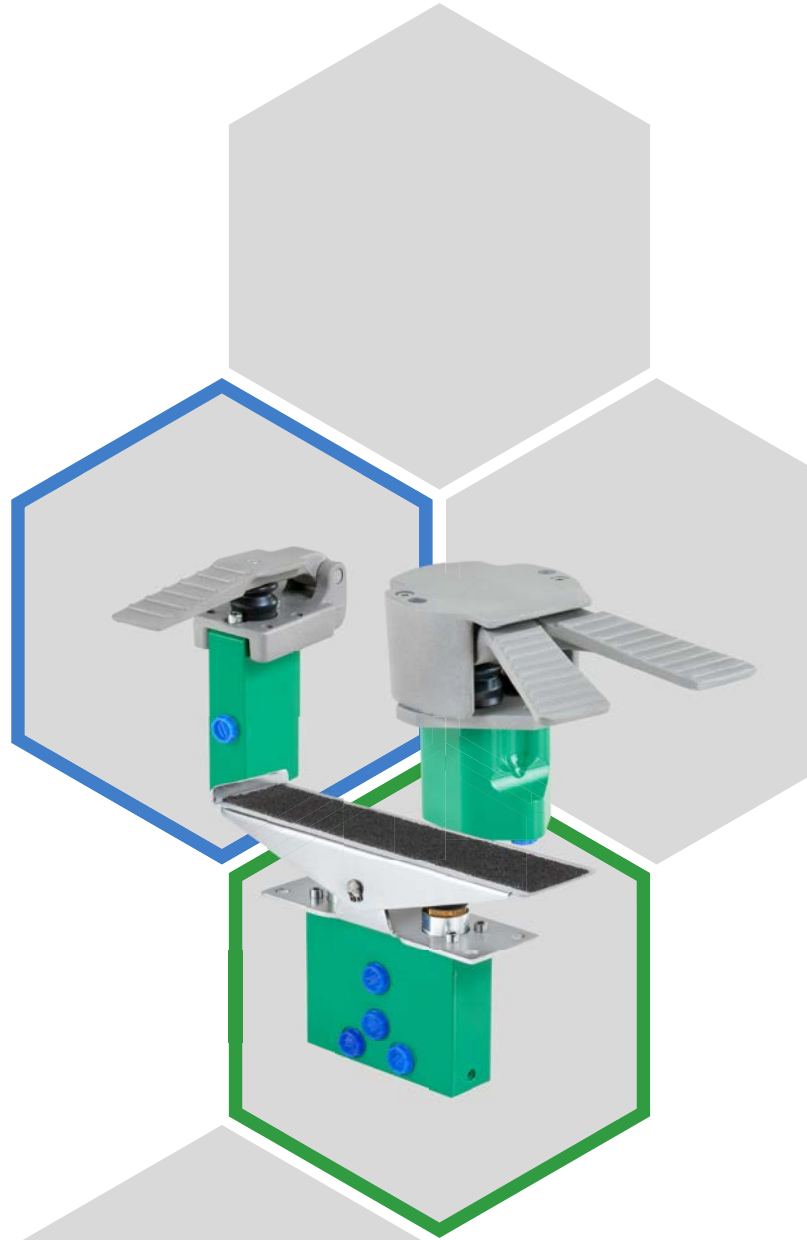


HPVP SERIES

HYDRAULIC PILOT
CONTROL



HYDRAULIC PILOT CONTROL

HPVP Pilot Control Valves are part of the extensive range of Hydreco Hydraulics product.

The range of foot pedal controls supported by a huge variety of characteristics, makes it suitable for a wide range of applications.

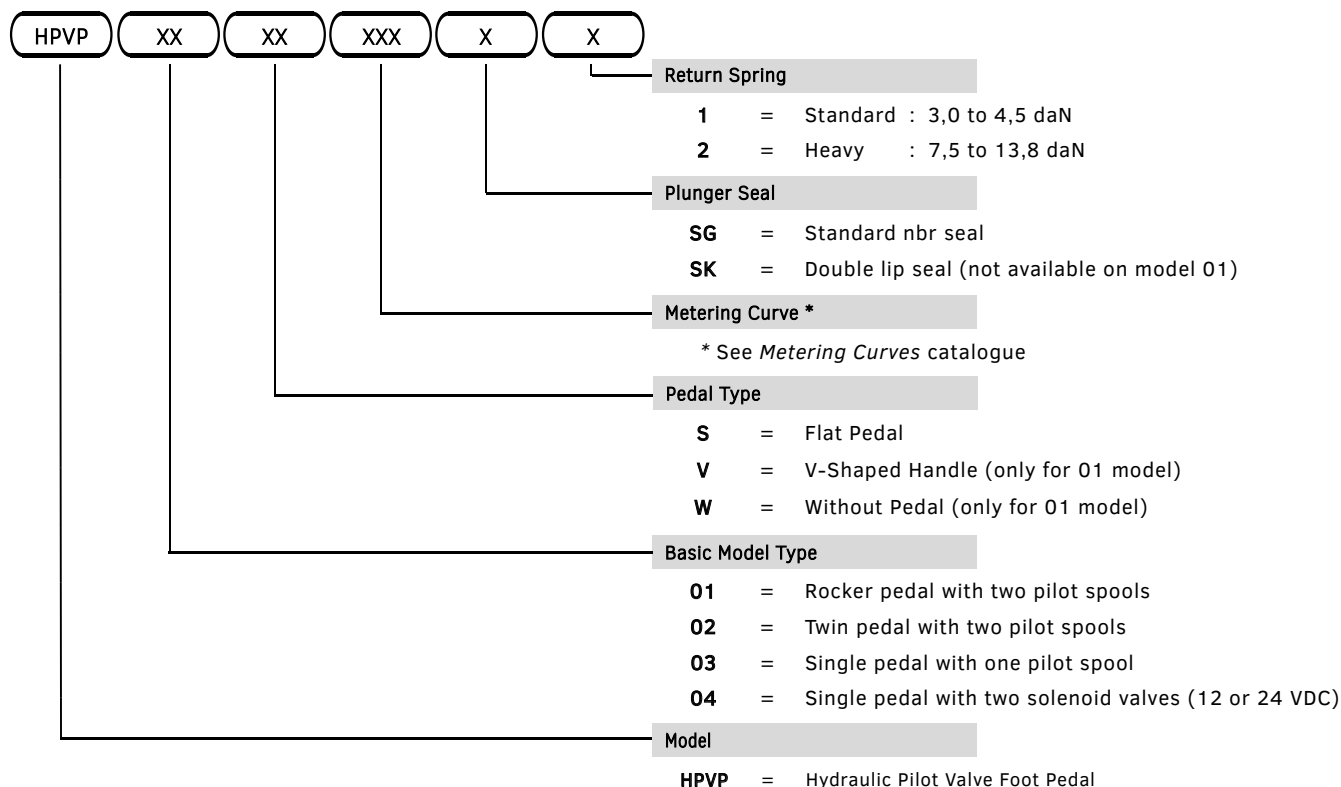
Our engineers can offer special support to optimise this product to suit your application.

BENEFITS

- Compact and lightweight
- Ports ideally positioned for easy installation
- Simple to mount
- Compatible with a wide range of product
- Operator is protected from high temperature components
- Low hysteresis, high accuracy, pressure control curves
- Range of operator pedal efforts available
- Rubber boot protection to prevent contamination and to operate in the toughest environmental conditions
- Plunger manufactured from non-corrosive steel
- End of stroke limited externally to prevent any damage to internal components
- Double lip seal option available for increased product life
- Optimised angular movement of foot pedal

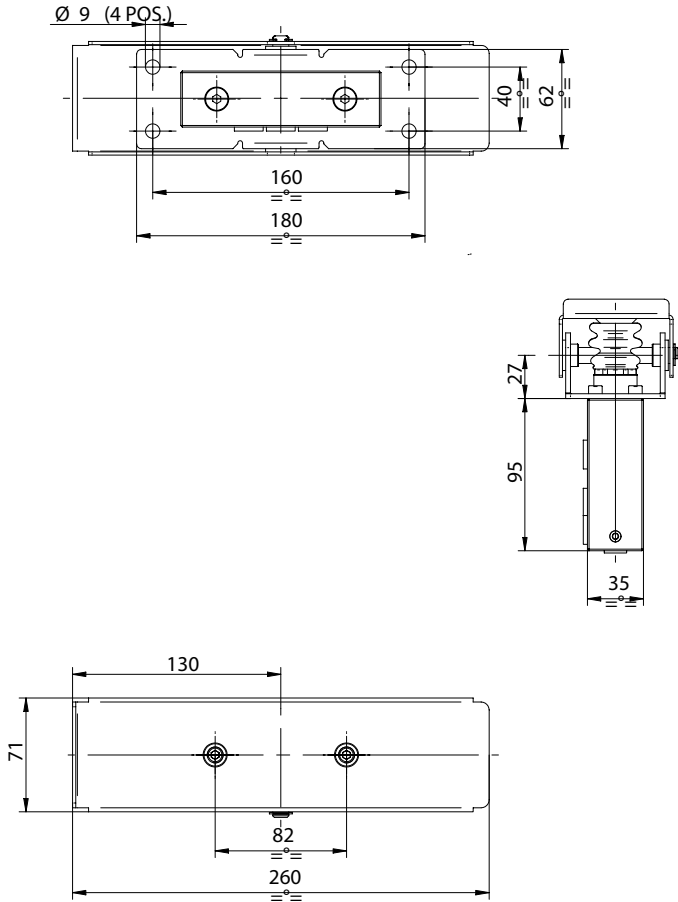
HPVP SERIES - MODEL CODING

Hydreco Hydraulics reserves the right to update the information and data contained in this catalogue at any time without notice

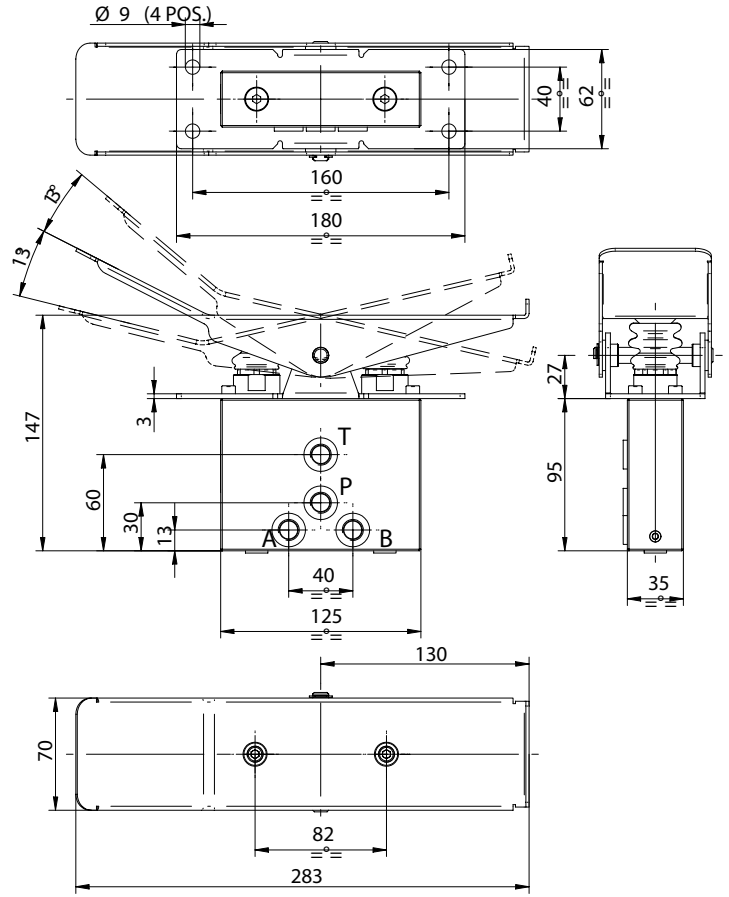


Example: HYDRAULIC PILOT VALVE FOOT PEDAL, MODEL TYPE 01, FLAT PEDAL, METERING CURVES N. 015, STANDARD SEALS, RETURN SPRING 1 : **HPVP-01-S-015-SG-1**

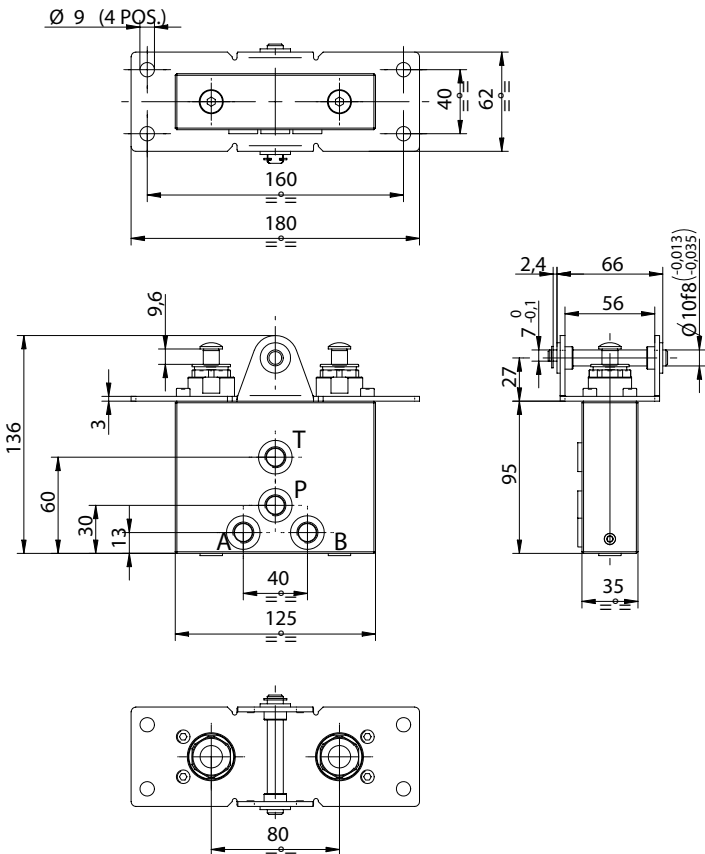
HPVP01S - FLAT ROCKER PEDAL



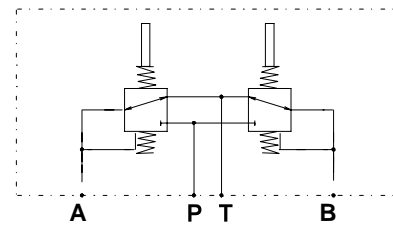
HPVP01V - V SHAPED ROCKER PEDAL



HPVP01W - WITHOUT PEDAL



HYDRAULIC CIRCUIT DIAGRAM



TECHNICAL DATA

For all foot pedals illustrated on this page

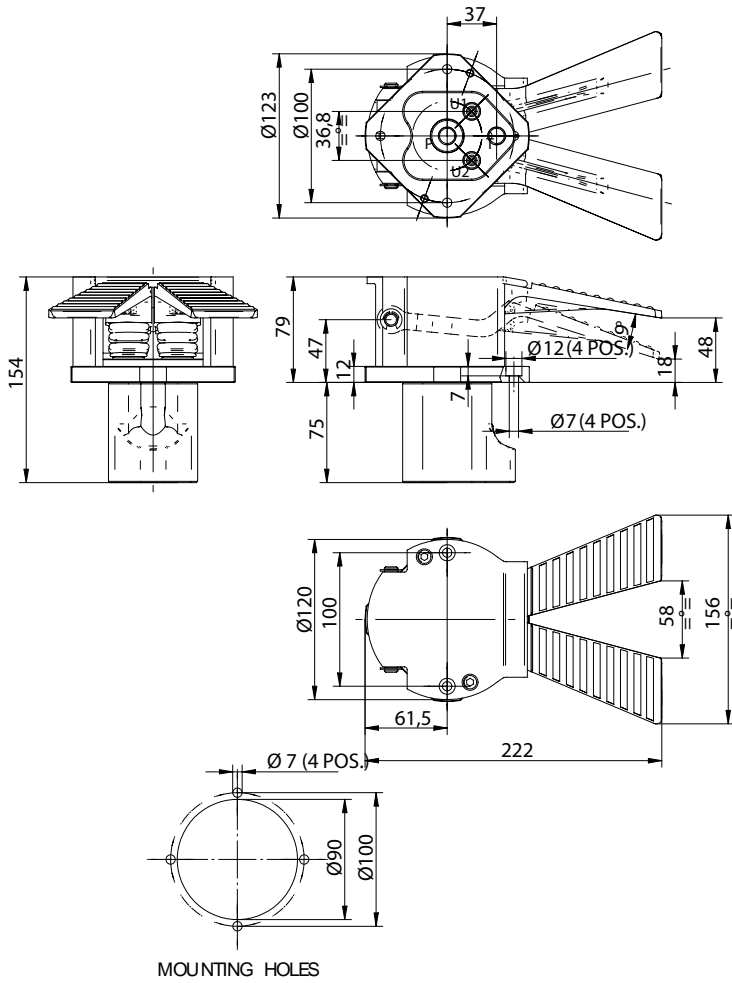
Service ports:	P, T, A, B; 1/4 " BSP
Maximum inlet pressure*:	Port P - 50 bar
Maximum back pressure:	Port T - 3 bar
Supply flow range:	from 5 up to 20 litres/min
Maximum hysteresis:	+/- 0.5 bar
Fluid:	Mineral Oils ISO, HM and HV
Contamination class:	20/18/15 ISO 4406/1999
Fluid temperature range:	from -20 up to +80° C

* Higher inlet pressure may be possible.

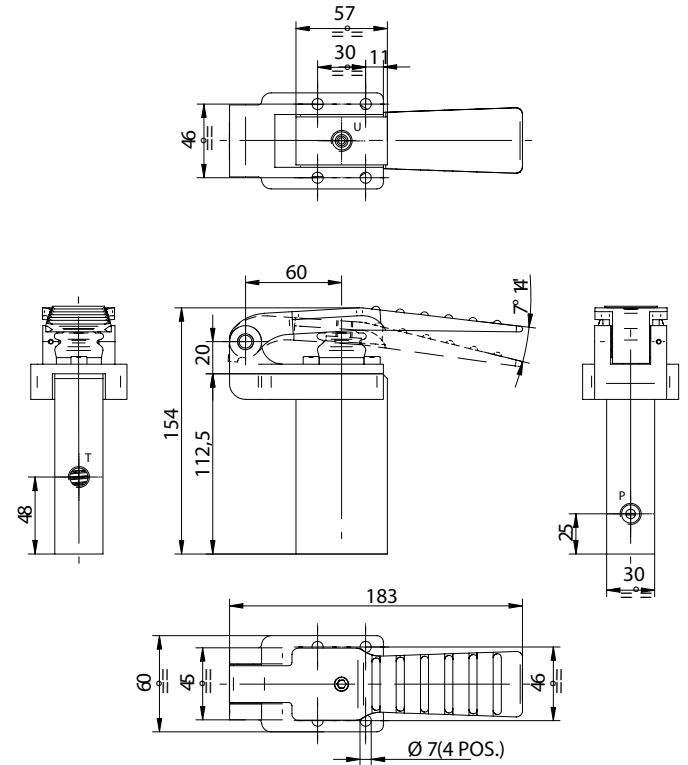
Also bottom porting is available

For both requirements, please consult Hydreco Hydraulics.

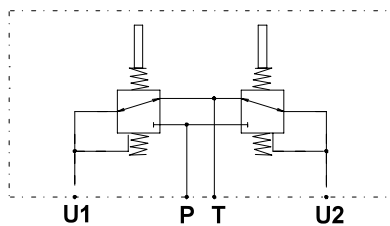
HPVP02 - TWIN PEDAL



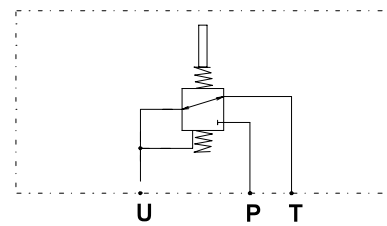
HPVP03 - SINGLE PEDAL



HYDRAULIC CIRCUIT DIAGRAM



HYDRAULIC CIRCUIT DIAGRAM



TECHNICAL FEATURES

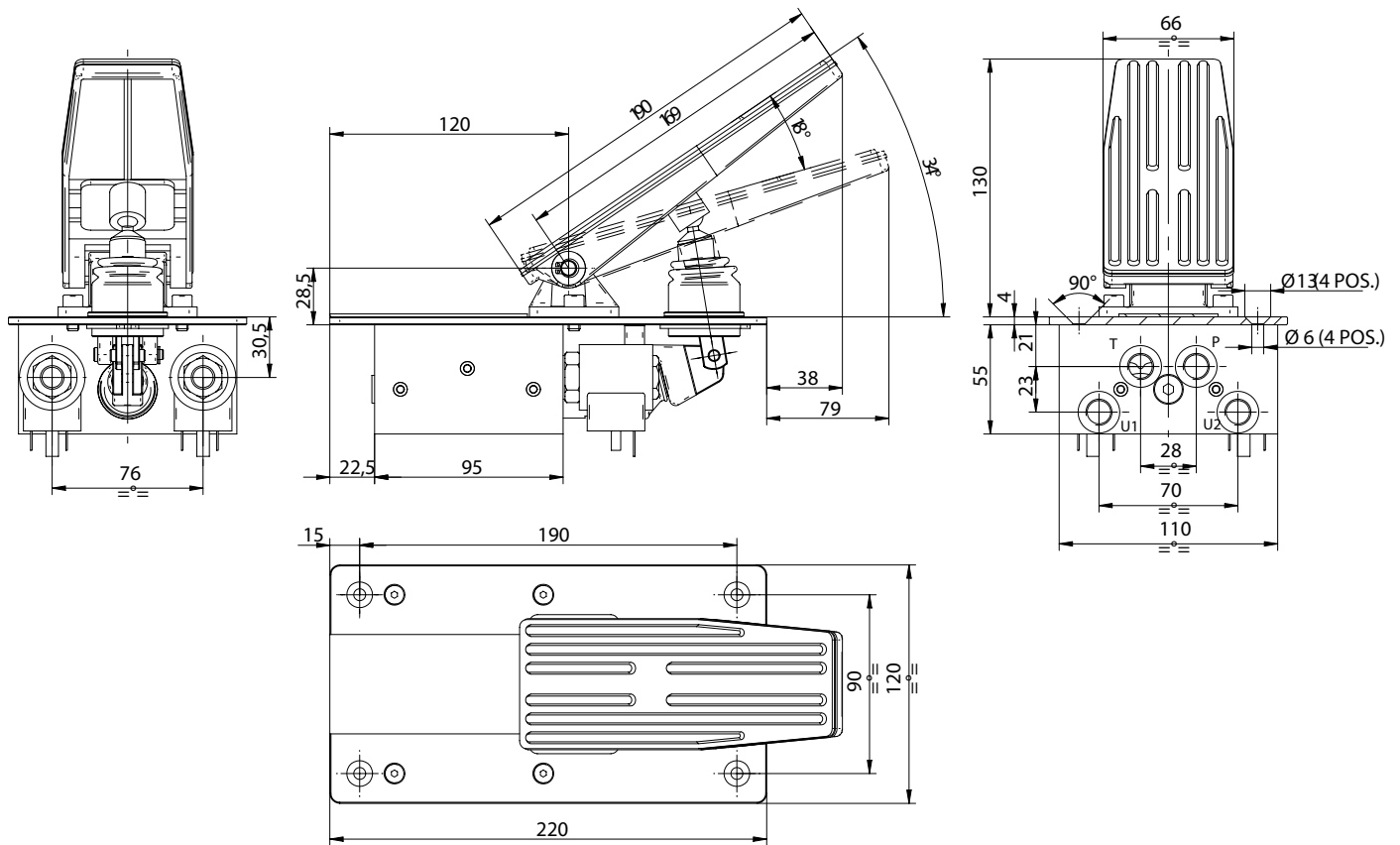
Service ports:	P, T, U1, U2; 1/4 " BSP
Maximum inlet pressure:	Port P - 50 bar
Maximum back pressure:	Port T - 3 bar
Supply flow range:	from 5 up to 20 litres/min
Maximum hysteresis:	+/- 0.5 bar
Fluid:	Mineral Oils ISO, HM and HV
Contamination class:	20/18/15 ISO 4406/1999
Fluid temperature range:	from -20 up to +80° C

TECHNICAL FEATURES

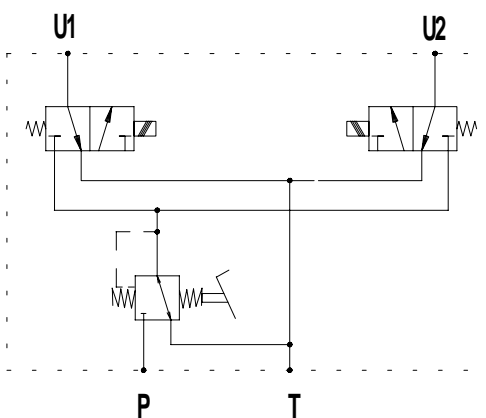
Service ports:	P, T, U; 1/4 " BSP
Maximum inlet pressure*:	Port P - 50 bar
Maximum back pressure:	Port T - 3 bar
Supply flow range:	from 5 up to 20 litres/min
Maximum hysteresis:	+/- 0.5 bar
Fluid:	Mineral Oils ISO, HM and HV
Contamination class:	20/18/15 ISO 4406:1999
Fluid temperature range:	from -20 up to +80° C

* Higher inlet pressure may be possible.
 Also bottom porting is available
 For both requirements, please consult Hydreco Hydraulics.

HPVP04 - SINGLE PEDAL WITH TWO SOLENOID VALVES **



HYDRAULIC CIRCUIT DIAGRAM



TECHNICAL FEATURES

Service ports:	P, T, U1, U2; 1/4 " BSP
Maximum inlet pressure*:	Port P - 50 bar
Maximum back pressure:	Port T - 3 bar
Supply flow range:	from 5 up to 20 litres/min
Maximum hysteresis:	+/- 0.5 bar
Fluid:	Mineral Oils ISO, HM and HV
Contamination class:	20/18/15 ISO 4406/1999
Fluid temperature range:	from -20 up to +80° C

* Higher inlet pressure may be possible.
 Also bottom porting is available
 For both requirements, please consult Hydreco Hydraulics.

** Specify the voltage of the coils at the end of the model coding.
 Example: **HPVP04S015SK1 - 12 VDC**

Supported by a worldwide network



CONTACT INFORMATION

EMEA

GERMANY	Hydreco Hydraulics GmbH, Straelen (NRW)	+49 283494303-41	info-de@hydreco.com
ITALY	Hydreco Hydraulics Italia Srl, Vignola (MO)	+39 059 7700411	sales-it@hydreco.com
NORWAY	Hydreco Hydraulics Norway AS, Nittedal	+47 22909410	post-no@hydreco.com
UK	Hydreco Hydraulics Ltd, Poole, Dorset	+44 (0) 1202 627500	info-uk@hydreco.com

AMERICAS

USA	Hydreco Inc, Rock Hill (SC)	+1 704 295 7575	sales-us@hydreco.com
LATIN AMERICA		+1 704 572 6266	sales-es@hydreco.com

APAC

AUSTRALIA	Hydreco Hydraulics Pty Ltd, Seven Hills (NSW)	+61 2 9838 6800	sales-au@hydreco.com
AUSTRALIA	Hydreco Hydraulics Pty Ltd, Smeaton Grange (NSW)	+61 2 4647 6577	au-smeatongrange@hydreco.com
AUSTRALIA	Hydreco Hydraulics Pty Ltd, Welshpool (WA)	+61 8 9377 2211	reception-wa@hydreco.com
INDIA	Hydreco Hydraulics India Private Ltd, Bangalore	+91 80 67656300	sales-in@hydreco.com