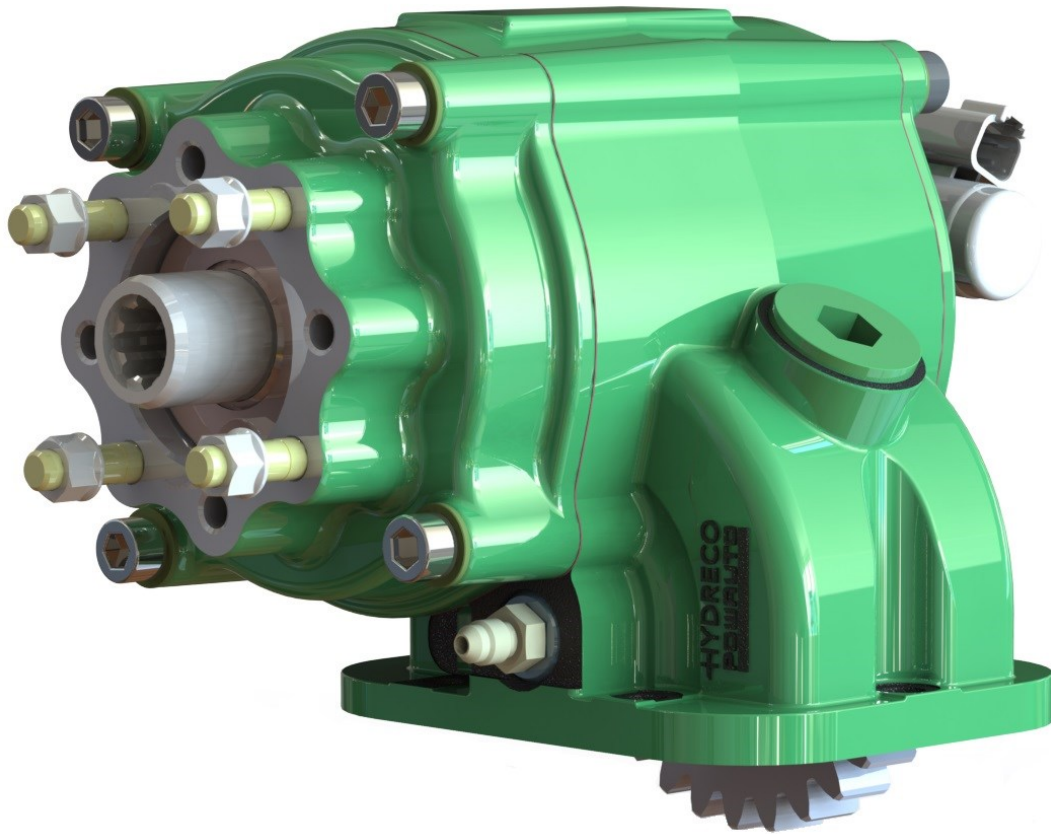


# Technical Data Sheet



## PA45 SERIES POWER TAKE-OFF

### Low Ratio, Heavy Duty Side Mounted Hotshift PTO

The 45 series is a constant mesh PTO designed to suit 6 bolt SAE transmission openings on certain Allison and Aisin automatic transmissions.

This PTO has a high torque rating which is well suited to heavy duty applications.

#### Suits:

Allison AT, HT, MT, 1000, 2000, 2100, 2200, 2400 and 2500 series transmissions.

Aisin 450-43LE, A443E, A465, A860E, MY400 and MY600 series transmissions.

(Refer to the eGuide Configurator on [www.hydreco.com](http://www.hydreco.com) for confirmation and details)

## Product Features

- **Output Speeds 98.8 to 105.9% of Engine Speed (Allison Transmissions)**
- **Output Speeds 84.7 to 114.6% of Engine Speed (Aisin Transmissions)**  
To provide flexibility in output values.
- **Large Range of Outputs**  
For flexibility in applications.
- **Viton Seals and O-Rings**  
For compatibility with high temp conditions.
- **Internal Clutch System**  
For effortless engagement on the go.
- **Low Profile**  
For easier installation on narrow chassis'.
- **Pressure Switch Standard**  
No need to add on later if required.
- **Ideal For Applications With Frequent Engagements**

POW AUTO

DAVID BROWN  
HYDRAULICS

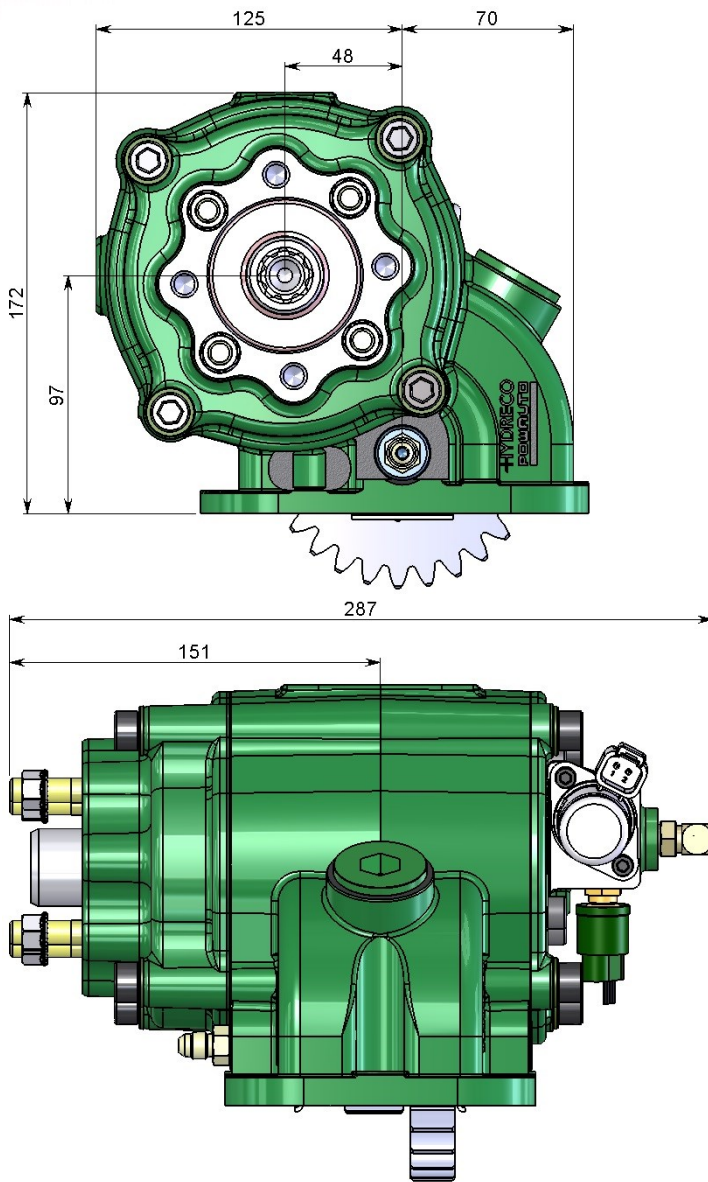
HYDRECO®

HYDRECO  
POW AUTO

ADVANCED HYDRAULIC TECHNOLOGIES

[www.hydreco.com](http://www.hydreco.com)

# Technical Data Sheet



## PTO DESIGNATION CODES

### 45 Series

#### Identifier

PA = PTO Side Mount

#### PTO Series

45

#### Ratio

2, 3, 5, 7 etc

#### Gear Type

BJ, B, JA

#### Build

L = Left side of transmission

R = Right side of transmission

1 = Selector to top / Bias to bottom

2 = Selector to bottom / Bias to top

1 = Centre to front

(Position of gear in transmission)

#### Engagement Type

F = Electric / Hydraulic 12V

G = Electric / Hydraulic 24V

#### Output Type

08 = 8T Powauto Hydraulic Spline

09 = 14T 12/24 30° Spline + 35 x 60 Flange

10 = 14T 12/24 30° Spline + 1310 Flange

11 = 14T 12/24 30° Spline + 1410 Flange

13 = 13T SAE B Hydraulic Spline + SAE B Pump Mount

23 = 8T Ø36 DIN 5462 Spline - Female and DIN Mount

Other outputs available on request, subject to MOQ.

#### Manufacturers Code

B = With Mounting Kit

C = With Mounting Kit & PTO Control Kit

CX = With Mounting Kit & PTO Control Kit & Special Machining

PA 45-3 BJ L11 F 13 \*

Technical Specifications		PA45-2BJ	PA45-3BJ	PA45-5JA	PA45-7JA
<b>Ratings &amp; Service Parts</b>					
Torque	Nm / ft.lb	340 / 250	340 / 250	220 / 162 *	220 / 162 *
Output Speed	% Engine	98.77	105.91	100.76 #	114.62 #
Power @ 500 rpm	kW / hp	17.8 / 23.9		11.5 / 15.4	
Power @ 1000 rpm	kW / hp	35.6 / 47.8		23.0 / 30.9	
Output Shaft Rotation		Same As Engine			
Approximate Bare Mass	kg / lb	20.0 / 44.0			
Mounting Kit		MK1179A or B (Hino)		MK1158A	
Mounting Gasket Kit		GK001			
Seal Kit		SK113			
Bearing Kit		BK113			

\* Torque rating limited by the transmission gear capacity

# Speed based on Aisin A465 Transmission

**Note:** For full details refer to the owners manual or the eGuide configurator found at [www.hydreco.com/markets/transport](http://www.hydreco.com/markets/transport)

Doc: PA45—12/17

POW AUTO

DAVID BROWN  
HYDRAULICS

HYDRECO®

HYDRECO  
POW AUTO

ADVANCED HYDRAULIC TECHNOLOGIES

[www.hydreco.com](http://www.hydreco.com)