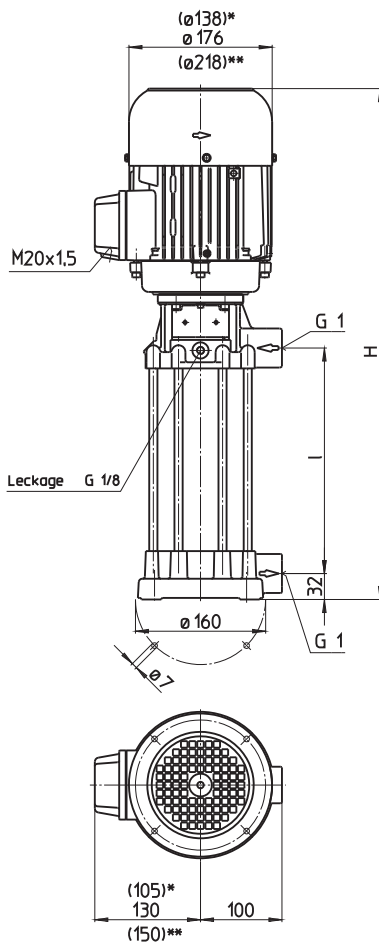


FH6

50 Hz

Closed impellers

FH603...632



*) Dimensions for FH603...FH607

**) Dimensions for FH619...FH632

Type	Vol. del. at manom. del. head l/min / m	Height H mm	Length l mm	Weight kg	Power kW	Voltage 3~ V	Fre- quen- cy Hz	Current A	Speed 1/min
FH603A19	80/18	488	197	17.5	0.54	220-240 380-420	50 50	2.42 1.40	2800 2800
FH604A19	80/24	529	197	20.5	0.75	220-240 380-415	50 50	3.24 1.87	2850 2850
FH605A24	80/30	579	247	20.8					
FH606A24	80/36	579	247	21.4	0.92	220-240 380-415	50 50	3.8 2.2	2840 2840
FH607A29	80/41	656	297	22.5	1.1	220-240 380-415	50 50	4.33 2.50	2850 2850
FH608A29	80/48	678	297	29	1.3	220-240 380-415	50 50	4.85 2.80	2900 2900
FH609A34	80/56	728	347	30.0	1.5	220-240 380-415	50 50	5.5 3.2	2880 2880
FH610A34	80/61			30.2					
FH611A39	80/71	804	397	33	1.7	220-240 380-415	50 50	6.24 3.60	2890 2890
FH612A39	80/76	836	397	37	1.9	220-240 380-415	50 50	6.84 3.95	2900 2900
FH613A49	80/82	936	497	39.0	2.2	220-240 380-415	50 50	7.8 4.5	2890 2890
FH614A49	80/90			39.1					
FH615A49	80/96			39.2					
FH616A49	80/101	936	497	39.8	2.6	220-240 380-415	50 50	9.30 5.35	2880 2880
FH617A59	80/108	1036	597	40.4					
FH618A59	80/114			40.6					
FH619A59	80/120	1029	597	52.0	3.3	220-240 380-415	50 50	11.6 6.7	2930 2930
FH620A59	80/128			52.1					
FH621A69	80/136	1129	697	53.5					
FH622A69	80/142	1129	697	54.6	4.0	220-240 380-415	50 50	14.50 8.35	2920 2920
FH623A69	80/150			54.8					
FH624A69	80/155			55.0					
FH625A79	80/160	1229	797	56.2					
FH626A79	80/166			56.4					
FH627A79	80/172	1259	797	63.0	5.0	220-240 380-415	50 50	17.3 10.0	2920 2920
FH628A79	80/180			63.2					
FH629A89	80/186	1359	897	64.9					
FH630A89	80/192			65.1					
FH631A89	80/200			65.3					
FH632A89	80/206			65.5					

Pressure Boosting Pumps

Series TH and FH use **closed impellers** in order to minimize power consumption and to optimize hydraulic pump efficiencies.

In addition, the TH series offers high pressures at short immersion depths. Inline pumps of the series FH can be used as **boosting pumps** if provided with positive inlet pressure. This inlet pressure can be provided by the central coolant supply or a feed pump. In such a setup, pumps of the series FH can raise the incoming pressure by up to 26 bar.

A **frequency converter** can be supplied for **special applications** or for matching the pump characteristic to a specific duty point.

See page "Control/Regulation" in the Technical Information section of this catalog for further information.

Applications

Types of fluid
 Industry water
 coolants
 cooling/cutting oils

Kinematic viscosity
 1 mm²/s (1 cSt)
 higher viscosity upon request

Pumping temperature
 0...80° C

Construction

Pump body	cast iron
Cover	cast iron
Impellers	CrNi-steel
Shaft	CrNi-steel
Diffusers	CrNi-steel
Mechanical seal	SiC
O-rings	Viton
Optional:	
Pump body	bronze
Cover	bronze

Noise level	
FH603...FH607	58 dBA
FH608...FH618	63 dBA
FH619...FH632	71 dBA

