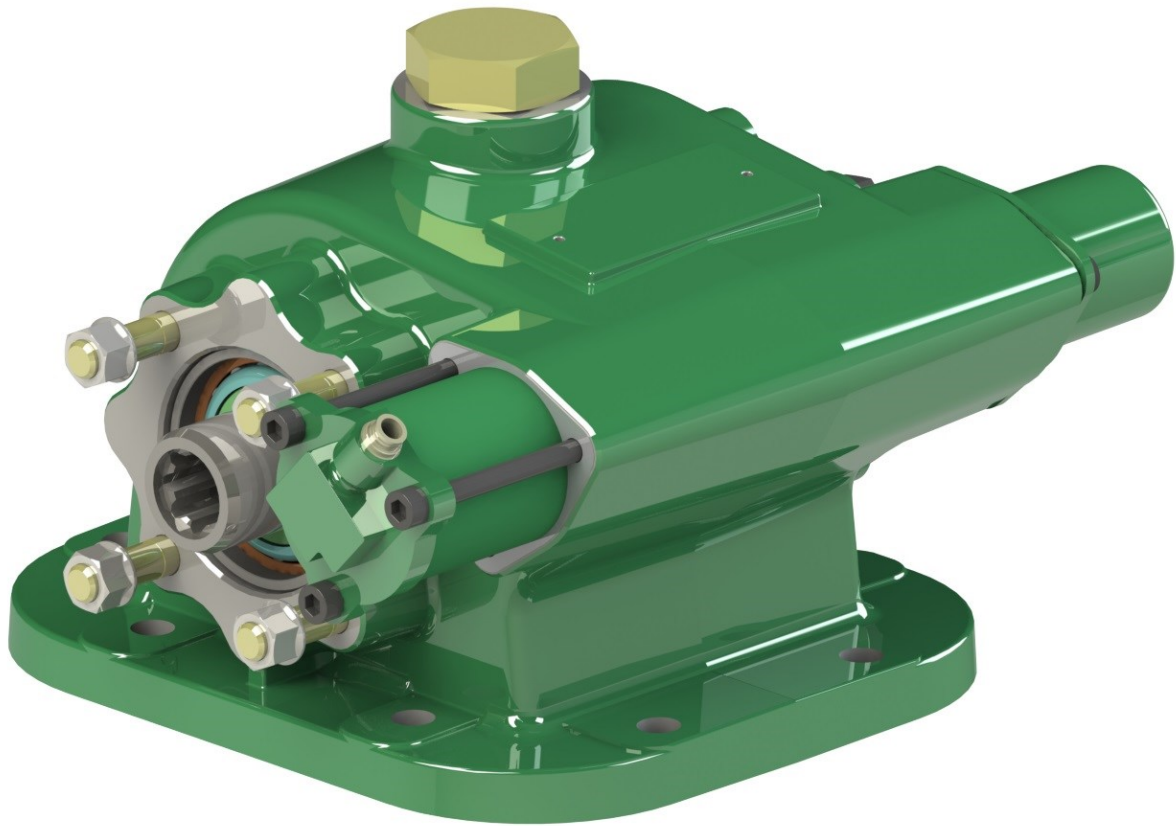


Technical Data Sheet



PA847 SERIES POWER TAKE-OFF

Product Features

Single Gear 8 Bolt Side Mounted Power Take-Off

The 847 series is designed for certain Hino & Nissan/UD transmissions with an 8 bolt opening.

Utilising advanced manufacturing techniques, this product will withstand the harshest conditions for long periods

Suits:

Hino ME05S & MF06S transmissions.
Nissan/UD MRT21A, MRT22A, MTS60A, MTS60G & MTS70B transmissions.
(Refer to the eGuide Configurator on www.hydreco.com for confirmation and details)

- **Output Speeds 60 to 74% of Engine Speed (Transmission Dependant)**
For high torque at the output.
- **Wide Variety of Outputs**
To suit many vehicle configurations.
- **Single Gear Design**
For simple and smooth operation.
- **Heavy Duty Tapered Roller Bearings**
For high capacity output.

POWAUTO

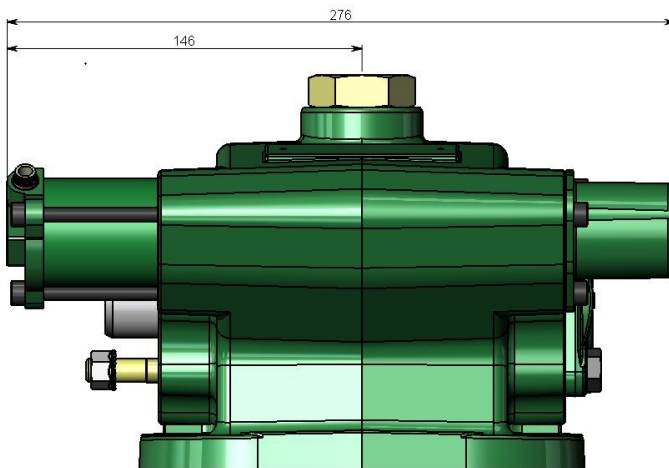
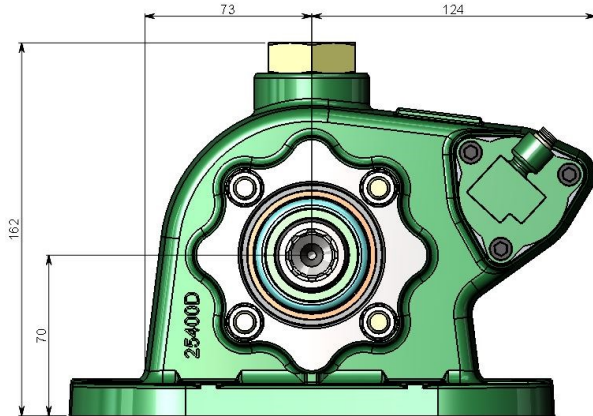
DAVID BROWN
HYDRAULICS

HYDRECO

HYDRECO
POWAUTO
HYDRAULIC SOLUTIONS PROVIDER

www.hydreco.com

Technical Data Sheet



PTO DESIGNATION CODES

847 Series

PA 847 MS1 L11 A 08 *

Identifier

PA = PTO Side Mount

PTO Series

847

Gear Type

MS1, MU, SK

Build

L = Left side of transmission

1 = Selector to top / Bias to bottom

1 = Centre to front

(Position of gear in transmission)

Engagement Type

A = Air

Output Type

08 = 8T Powauto Hydraulic Spline

09 = 14T 12/24 30° Spline + 35 x 60 Flange

10 = 14T 12/24 30° Spline + 1310 Flange

11 = 14T 12/24 30° Spline + 1410 Flange

13 = 13T SAE B Hydraulic Spline + SAE B Pump Mount

23 = 8T Ø36 DIN 5462 Spline - Female and DIN Mount

41 = 3 Bolt UNI Pump Mount

Other outputs available on request, subject to MOQ.

Manufacturers Code

A = With Pressure Switch

B = With Mounting Kit

C = With Mounting Kit & PTO Control Kit

Technical Specifications		MS1	MU	SK
Ratings & Service Parts				
Torque	Nm / ft.lb	340 / 250	336 / 247	430 / 317
Power @ 500 rpm	kW / hp	17.8 / 23.8	17.5 / 23.5	23.2 / 30.1
Power @ 1000 rpm	kW / hp	35.5 / 47.6	35.0 / 47.0	46.4 / 60.3
Mounting Kit		* See Note	MK1116	MK1109A
Mounting Gasket Kit		GK004	GK016	GK016
Output Shaft Rotation		Opposite to Engine		
Approximate Bare Mass	kg / lb	13.0 / 29.2		
Seal Kit		SK048A		
Bearing Kit		BK048A		

* Mounting kit varies with transmission - refer to eGuide Configurator.

Note: For full details refer to the owners manual or the eGuide configurator found at www.hydreco.com/markets/transport

DISTRIBUTOR:

Doc: PA847—03/17

www.hydreco.com

POWAUTO

DAVID BROWN
HYDRAULICS

HYDRECO

HYDRECO
POWAUTO
HYDRAULIC SOLUTIONS PROVIDER