

Technical Data Sheet



PA41 SERIES POWER TAKE-OFF

Product Features

Low Ratio, Heavy Duty Side Mounted Hotshift PTO

The 41 series is a constant mesh PTO designed to suit 10 bolt transmission openings on the MD and HD series Allison automatic transmissions.

It's perfect for vehicles with a narrow chassis e.g. HINO, Isuzu, with it's new compact housing design.

This PTO has a high torque rating which is well suited to heavy duty applications.

Suits:

Allison MD 3050P, 3060P, 3070PT, 3550P, 3560P, HD 4060P, 4560P series transmissions.

(Refer to the eGuide Configurator on www.hydreco.com for confirmation and details)

- **Output Speeds 79 to 174% of Engine Speed (Transmission Dependant)**
To give good output values for all applications.
- **Large Range of Outputs**
For flexibility in applications
- **Viton Seals and O-Rings**
For compatibility with high temperature conditions.
- **Internal Clutch System**
Ensure no gear clash when engaging. Ability to engage when in motion.
- **'One Gasket, One Hose' Fitment**
Simple to install, resulting in lower installation costs.
- **Low Profile**
Providing easier installation on narrower chassis'.
- **Ideal for Applications With Frequent Engagements**

POWAUTO

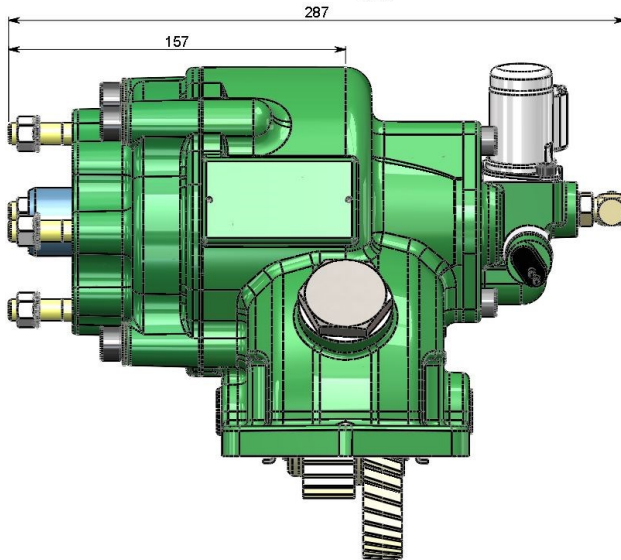
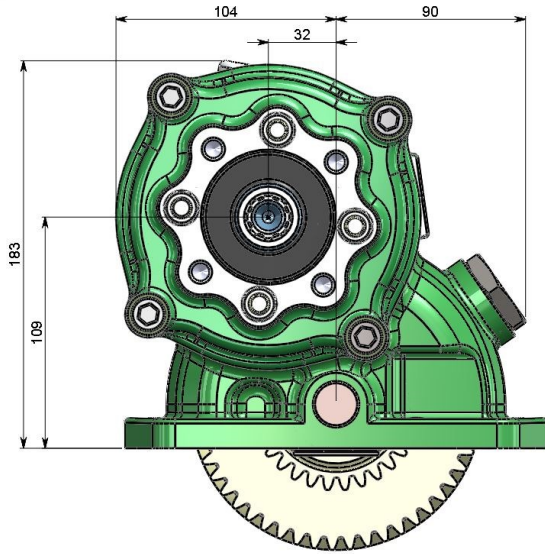
DAVID BROWN
HYDRAULICS

HYDRECO

HYDRECO
POWAUTO
HYDRAULIC SOLUTIONS PROVIDER

www.hydreco.com

Technical Data Sheet



PTO DESIGNATION CODES

41 Series

PA 41-2 JB L11 F 13 F*

Identifier

PA = PTO Side Mount

PTO Series

41

Ratio (3500 / 4000)

-1 = 79.0% / 112.0%

-2 = 92.7% / 132.3%

-3 = 122.0% / 174.0%

Gear Type

JB

Build

L = Left side of transmission

R = Right side of transmission

1 = Selector to top / Bias to bottom

2 = Selector to bottom / Bias to top

1 = Centre to front

(Position of gear in transmission)

Engagement Type

F = Electric / Hydraulic 12V

G = Electric / Hydraulic 24V

J = Hydraulic (for remote solenoid)

Output Type

08 = 8T Powauto Hydraulic Spline

10 = 14T 12/24 30° Spline + 1310 Flange

11 = 14T 12/24 30° Spline + 1410 Flange

13 = 13T SAE B Hydraulic Spline + SAE B Pump Mount

23 = 8T Ø36 DIN 5462 Spline - Female and DIN Mount

Other outputs available on request, subject to MOQ.

Manufacturers Code

F = With Switch, Mounting Kit & PTO Control Kit

Remote Solenoid

12V

24V

Technical Specifications		PA41-1	PA41-2	PA41-3
Ratings & Service Parts				
Ratio for Allison 3000		79.0%	92.7%	122.0%
Ratio for Allison 4000		112.0%	132.3%	174.0%
Torque	Nm / ft.lb	447 / 330	441 / 325	417 / 308
Power @ 500 rpm	kW / hp	23 / 31	23 / 31	22 / 30
Power @ 1000 rpm	kW / hp	47 / 63	46 / 62	44 / 59
Output Shaft Rotation		Same As Engine		
Approximate Bare Mass	kg / lb	19.0 / 41.8		
Mounting Kit		MK1163		
Mounting Gasket Kit		GK023		
Seal Kit		SK108 or SK108A (for Mech Output)		
Bearing Kit		BK108 or BK108A (for Mech Output)		

Note: For full details refer to the owners manual or the eGuide configurator found at www.hydreco.com/markets/transport

DISTRIBUTOR:

Doc: PA41—03/17

POWAUTO

DAVID BROWN
HYDRAULICS

HYDRECO

HYDRECO
POWAUTO
HYDRAULIC SOLUTIONS PROVIDER

www.hydreco.com