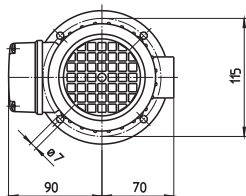
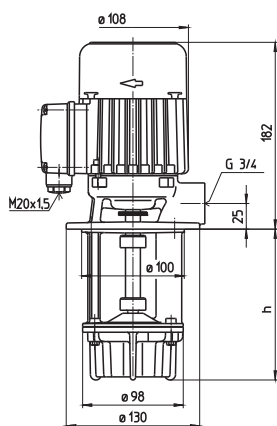


Quick Suctioning Immersion Pumps

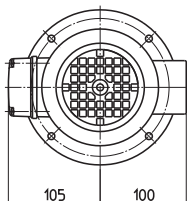
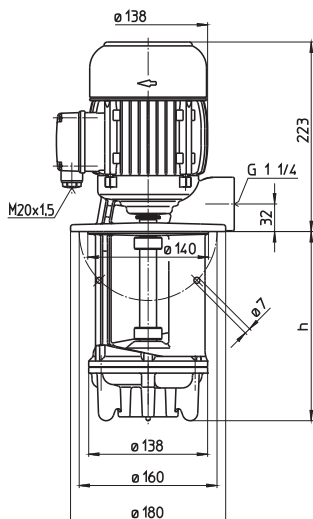
TL50...TAL200

Axial/semi-open impellers

TL50



TAL200



Type	Vol. del. at manom. del. head l/min /m	Height H mm	Depth of immersion h mm	Weight kg	Power kW	Voltage 3~ V	Fre- quen- cy Hz	Current A	Speed 1/min
TL50/110	40/2	182	120	6.0	0.22	220-240	50	0.95	2700
140			145	6.4					
190			195	6.6					
240			245	7.0					
290			295	7.3					
370			375	8.0					
TAL200/140	200/4	223	140	13.5	0.55	220-240	50	2.50	2750
220			220	14.0					
290			290	15.0					
370			370	16.0					
460			460	17.0					
570			570	19.0		380-420	50	1.45	2750
						460	60	1.45	3250

Quick Suctioning Immersion Pumps

equipped with the patented "BRINKMANN's Suction De-aeration System" are excellently suited to pumping **extremely air entrained fluids** (emulsions resp. cooling/cutting oils) as they occur in heavy cutting when turning, milling or grinding. The quick suctioning immersion pumps reach stable working conditions as soon as the liquid level reaches the suction inlet.

Applications

Types of fluid
 coolants
 cooling/cutting oils
 Kinematic viscosity
 ...45 mm²/s (45 cSt)
 Pumping temperature
 0...80° C

Construction

Pump body	cast iron
Cover	cast iron
Impeller axial	cast steel
Impeller radial	brass
Shaft	steel
Optional: Impeller radial	cast steel

