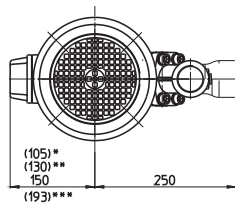
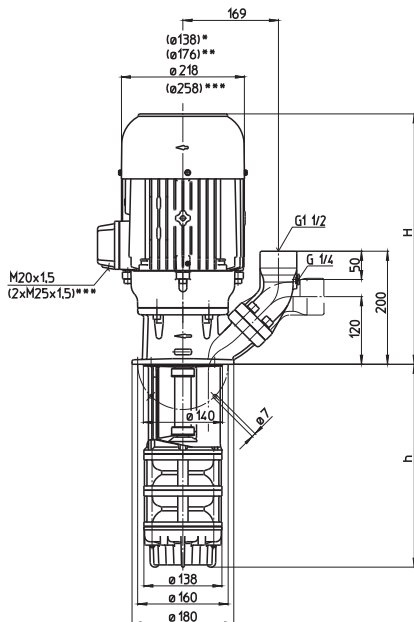


Quick Suctioning Immersion Pumps

SAL601...608

Axial/semi-open impellers

SAL601...608



- *) Dimensions for SAL601
- **) Dimensions for SAL602
- ***) Dimensions for SAL607, 608

Type	Vol. del. at manom. del. head l/min /m	Height H mm	Depth of im- mersion h mm	Weight kg	Power kW	Voltage 3~ V	Fre- quen- cy Hz	Current A	Speed 1/min
SAL601/150	400/3	361	150	23.5	1.1	220-240	50	4.33	2850
230			230	24.5					
300			300	25.5	1.27	460	60	2.4	3440
380			380	27.0					
470			470	28.0					
580			580	30.0					
780			780	36.0					
930			930	38.0					
SAL602/220	400/10	439	215	40					
300			295	41					
370			365	42	2.55	460	60	4.4	3480
450			445	43					
540			535	45					
650			645	47					
850			845	54					
1000			995	55					
SAL603/280	400/16	478	280	54					
360			360	55					
430			430	56	3.8	460	60	6.4	3520
510			510	57					
600			600	59					
710			710	61					
910			910	67					
1060			1060	69					
SAL604/350	400/23	508	345	63					
430			425	64					
500			495	65	5.75	460	60	9.5	3520
580			575	67					
670			665	68					
780			775	69					
980			975	76					
1130			1125	78					
SAL605/410	400/32	508	410	66					
490			490	67					
560			560	68	6.3	460	60	10.4	3510
640			640	69					
730			730	71					
840			840	73					
1040			1040	79					
SAL607/540	400/44	587	540	103	7.5	380-415	50	14.3	2950
620			620	104					
690			690	105	8.6	460	60	13.7	3550
770			770	106					
860			860	108					
970			970	109					
SAL608/600	400/57	587	600	113	9.0	380-415	50	16.7	2955
680			680	114					
750			750	115	10.3	460	60	15.8	3550
830			830	116					
920			920	117					
1030			1030	120					

Quick Suctioning Immersion Pumps

equipped with the patented "BRINKMANN" s Suction De-aeration System" are excellently suited to pumping **extremely air entrained fluids** (emulsions resp. cooling/cutting oils) as they occur in heavy cutting when turning, milling or grinding.

The quick suctioning immersion pumps reach stable working conditions as soon as the liquid level reaches the suction inlet.

The SAL serie offers a (SAE) flange with pressure gauge connection port.

The flange can be rotated for either horizontal or vertical pipe connections.

Applications

Types of fluid
coolants
cooling/cutting oils
Kinematic viscosity
...45 mm²/s (45 cSt)
Pumping temperature
0...80° C

Construction

Pump body	cast iron
Cover	cast iron
Impeller axial	cast steel
Impeller radial	brass
Shaft	steel
Optional: Impeller radial	cast steel

