

# Technical Data Sheet



## PA44 SERIES POWER TAKE-OFF

### Low Ratio Ultra Heavy Duty Side Mounted Constant Drive PTO

The 44 series is a constant mesh, constant drive PTO designed to suit the 10 bolt transmission openings on the MD and HD series Allison automatic transmissions.

This PTO has a high torque rating which is well suited to heavy duty applications such as transit mixers.

#### Suits:

Allison MD 3500ORS, 3500SP, HD 4430ORS transmissions.

(Refer to the eGuide Configurator on [www.hydreco.com](http://www.hydreco.com) for confirmation and details)

## Product Features

- **Output Speeds 86 to 142% of Engine Speed (Transmission Dependant)**  
Giving good output values for all applications.
- **Constant Drive**  
Ensuring no gear clash when operating. Suitable for driving variable displacement piston pumps.
- **Viton Seals & O-Rings**  
Ensuring compatibility with high temperature conditions.
- **One Gasket Fitment**  
Simple to install, resulting in lower installation costs.

POWAUTO

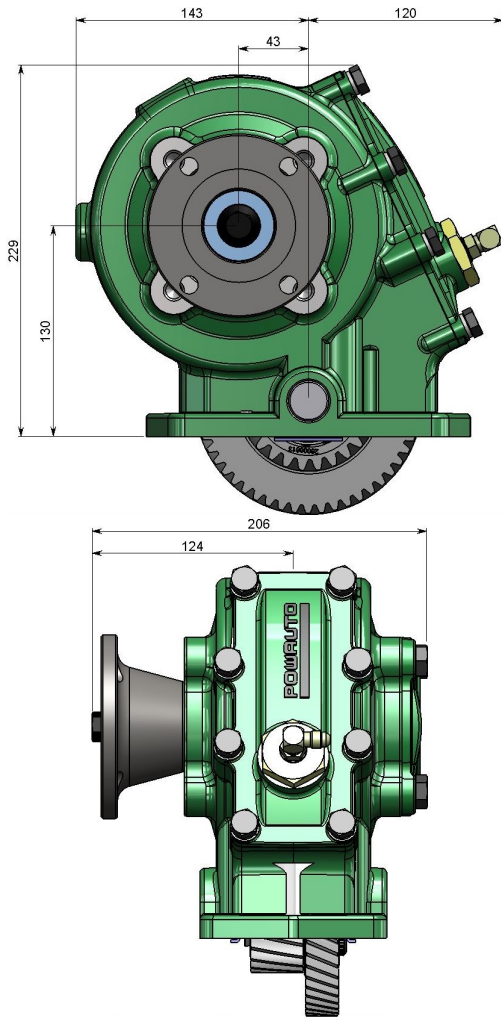
DAVID BROWN  
HYDRAULICS

HYDRECO

**HYDRECO**  
**POWAUTO**  
HYDRAULIC SOLUTIONS PROVIDER

[www.hydreco.com](http://www.hydreco.com)

# Technical Data Sheet



## PTO DESIGNATION CODES

### 44 Series

PA 44-1 JB L11 B 33 B

#### Identifier

PA = PTO Side Mount

#### PTO Series

44

#### Ratio (3500 / 4000)

- 1 = 86% / 101%
- 2 = 92% / 107%
- 3 = 97% / 113%
- 4 = 103% / 120%
- 5 = 109% / 127%
- 6 = 115% / 134%
- 7 = 121% / 142%

#### Gear Type

JB

#### Build

- L = Left side of transmission
- R = Right side of transmission
  - 1 = Selector to top / Bias to bottom
  - 2 = Selector to bottom / Bias to top
  - 1 = Centre to front  
(Position of gear in transmission)

#### Engagement Type

B = Continuous Engagement

#### Output Type

33 = 17T 12/24 30° Spline + 1410 Flange  
Other outputs available on request, subject to MOQ.

#### Manufacturers Code

B = With Mounting Kit

Technical Specifications		PA44-1	PA44-2	PA44-3	PA44-4	PA44-5	PA44-6	PA44-7
<b>Ratings &amp; Service Parts</b>								
Ratio for Allison 3500		86.0%	92.0%	97.0%	103.0%	109.0%	115.0%	121.0%
Ratio for Allison 4000		101.0%	107.0%	113.0%	120.0%	127.0%	134.0%	142.0%
Torque	Nm / ft.lb	851 / 628	834 / 615	816 / 602	799 / 589	782 / 577	764 / 563	747 / 551
Power @ 500 rpm	kW / hp	45 / 60	44 / 59	43 / 58	42 / 56	41 / 55	40 / 54	39 / 52
Power @ 1000 rpm	kW / hp	89 / 119	87 / 117	85 / 114	84 / 113	82 / 110	80 / 107	78 / 105
Output Shaft Rotation		Same As Engine						
Approximate Bare Mass	kg / lb	22.0 / 48.4						
Mounting Kit		MK1163						
Mounting Gasket Kit		GK023						
Seal Kit		SK112						
Bearing Kit		BK112						

**Note:** Currently the -1 ratio is available, the other ratios are available upon request and subject to MOQ.

**Note:** For full details refer to the owners manual or the eGuide configurator found at [www.hydreco.com/markets/transport](http://www.hydreco.com/markets/transport)

**DISTRIBUTOR:**

Doc: PA44—05/17

POWAUTO

DAVID BROWN  
HYDRAULICS

HYDRECO

**HYDRECO**  
**POWAUTO**  
HYDRAULIC SOLUTIONS PROVIDER

[www.hydreco.com](http://www.hydreco.com)