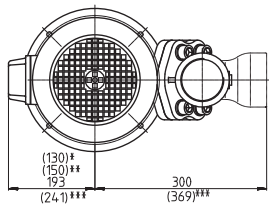
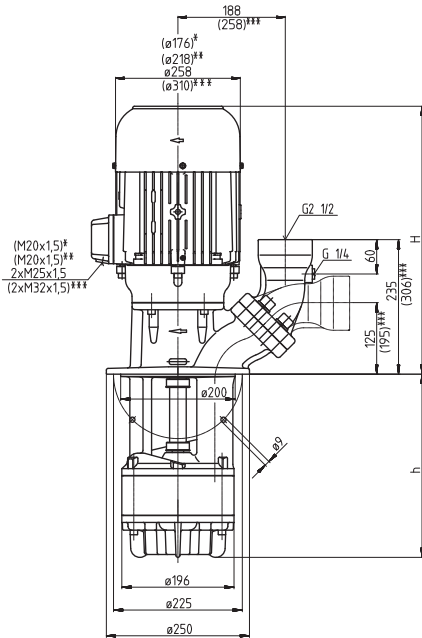


# Quick Suctioning Immersion Pumps

## SGL801...804

Axial/semi-open impellers

### SGL801, 802 SGL803, 804



- \*) Dimensions for SGL801
- \*\*) Dimensions for SGL802
- \*\*\*) Dimensions for SGL804

Type	Vol. del. at manom. del. head l/min / m	Height H mm	Depth of im- mersion h mm	Weight kg	Power kW	Voltage 3~ V	Fre- quen- cy Hz	Current A	Speed 1/min
<b>SGL801/220</b>	500/12	464	220	51	2.6	220-240	50	9.30	2880
	320		320	54					
	450		450	58	2.94	460	60	5.1	3480
	570		570	62					
	770		770	74					
	1000		1000	81					
<b>SGL802/290</b>	500/25	533	290	76	5.5	220-240	50	18.9	2915
	390		390	80					
	520		520	83	6.3	460	60	10.4	3510
	640		640	86					
	840		840	99					
	1070		1070	105					
<b>SGL803/360</b>	500/35	612	360	121	9.0	380-415	50	16.7	2955
	460		460	124	10.3	460	60	15.8	3550
	590		590	127					
	710		710	131					
	910		910	144					
<b>SGL804/430</b>	500/46	620	430	151	13.0	380-415	50	24.2	2960
	530		530	154	15.0	460	60	23.6	3560
	660		660	159					
	780		780	162					
	980		980	177					

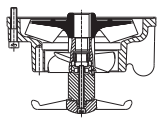
### Quick Suctioning Immersion Pumps

series SGL equipped with the patented "BRINKMANN's Suction De-aeration System" are excellently suited to pumping **extremely air entrained fluids** (grinding oils) as they occur in **high-speed grinding**.

The quick suctioning immersion pumps reach stable working conditions as soon as the liquid level reaches the suction inlet.

The SGL serie offers a **flange** with pressure gauge connection port.

The flange can be rotated for either horizontal or vertical pipe connections.



The pump SGL801 is available (upon request) with an additional agitator at the pump suction for breaking up and separating large bundles of chips or birds nests.



### Applications

- Types of fluid
  - coolants
  - cooling/cutting oils
  - grinding oils
- Kinematic viscosity
  - ...45 mm<sup>2</sup>/s (45 cSt)
- Pumping temperature
  - 0...80° C

### Construction

- |                 |            |
|-----------------|------------|
| Pump body       | cast iron  |
| Cover           | cast iron  |
| Impeller axial  | cast steel |
| Impeller radial | cast steel |
| Shaft           | steel      |

