

Technical Data Sheet



TKV TANK VALVE ASSEMBLY

Hydrec's TKV units are an electric tipping tank and valve assembly designed for use on vehicles without air systems. The Tank Valve units are available in 12V and 24V versions.

All units include the Electric Tipping Valve with an adjustable relief, the heavy duty coils are ready to be wired up to an electric tipper control.

Our tanks come complete ready to bolt on to your trucks chassis.

Product Features

All TKV's Come Complete With:

- Electric Tipping Valve with Open Centre
- Adjustable Relief Valve
- Built-in Check Valve
- 12 or 24 Volts
- Chassis Mounted Steel Tank (15 or 30L)
- Filler Breather

POWAUTO

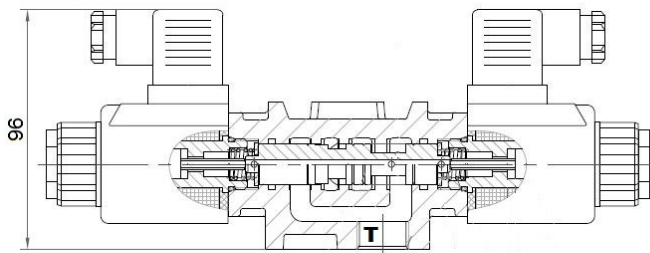
DAVID BROWN
HYDRAULICS

HYDRECO

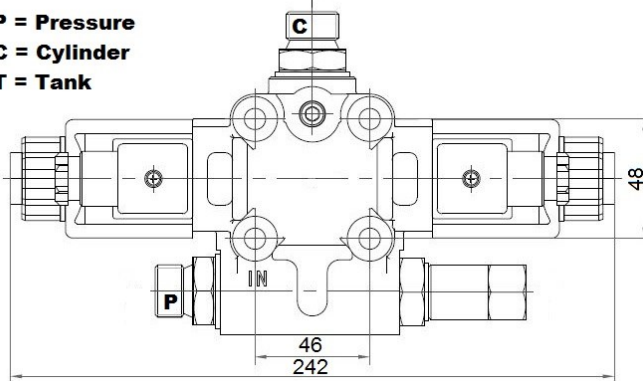
HYDRECO
POWAUTO
HYDRAULIC SOLUTIONS PROVIDER

www.hydreco.com

Technical Data Sheet



P = Pressure
C = Cylinder
T = Tank



TKV 30 - 24V

Identifier

TKV = Tank Valve

Tank Capacity

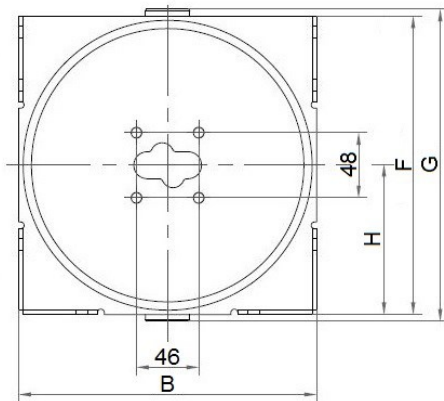
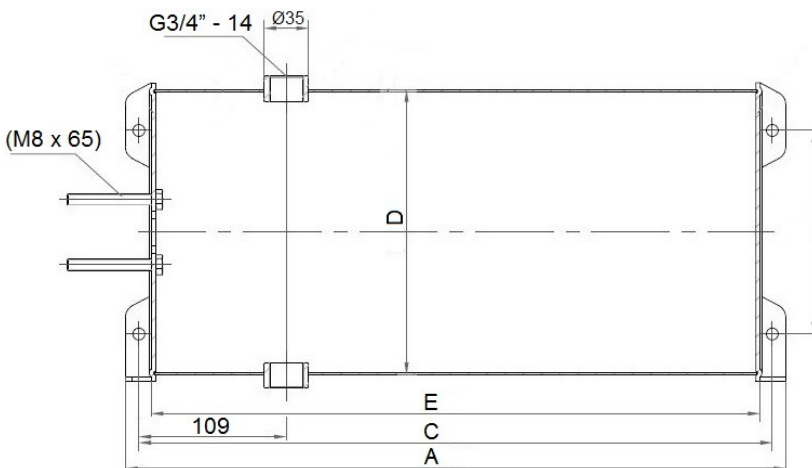
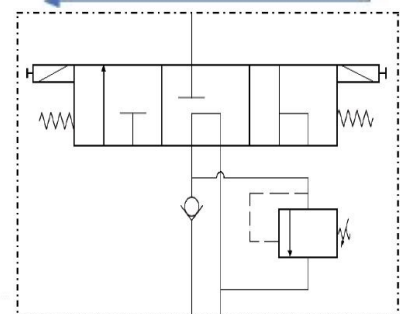
15 = 15L

30 = 30L

Voltage

12V

24V



Technical Specifications	
Maximum Flow	40 L (10.5 US GPM)
Max. Working Pressure	250 Bar (3625 PSI)
Max. Peak Pressure	300 Bar (4350 PSI)
Temperature	-25 to 80 °C
Viscosity Range	12 - 100cSt
Oil Filtering	25µm
Weight	8 kg (15L) & 17 kg (30L)
Valve Ports	1/2" BSPP
Tank Ports	3/4" BSPP

Spare Parts	
12V Valve	VA88F140A
24V Valve	VA88G140A
12V Coil	TKVCOIL-12V
24V Coil	TKVCOIL-24V

Tank Dimensions (mm)								
Volume	A	B	C	D	E	F	G	H
15L	488	220	468	210	450	220	230	110
30L	506	330	490	320	460	330	340	100

DISTRIBUTOR:

Doc: TKV—05/17

POWAUTO

DAVID BROWN
HYDRAULICS

HYDRECO

HYDRECO
POWAUTO
 HYDRAULIC SOLUTIONS PROVIDER

www.hydreco.com